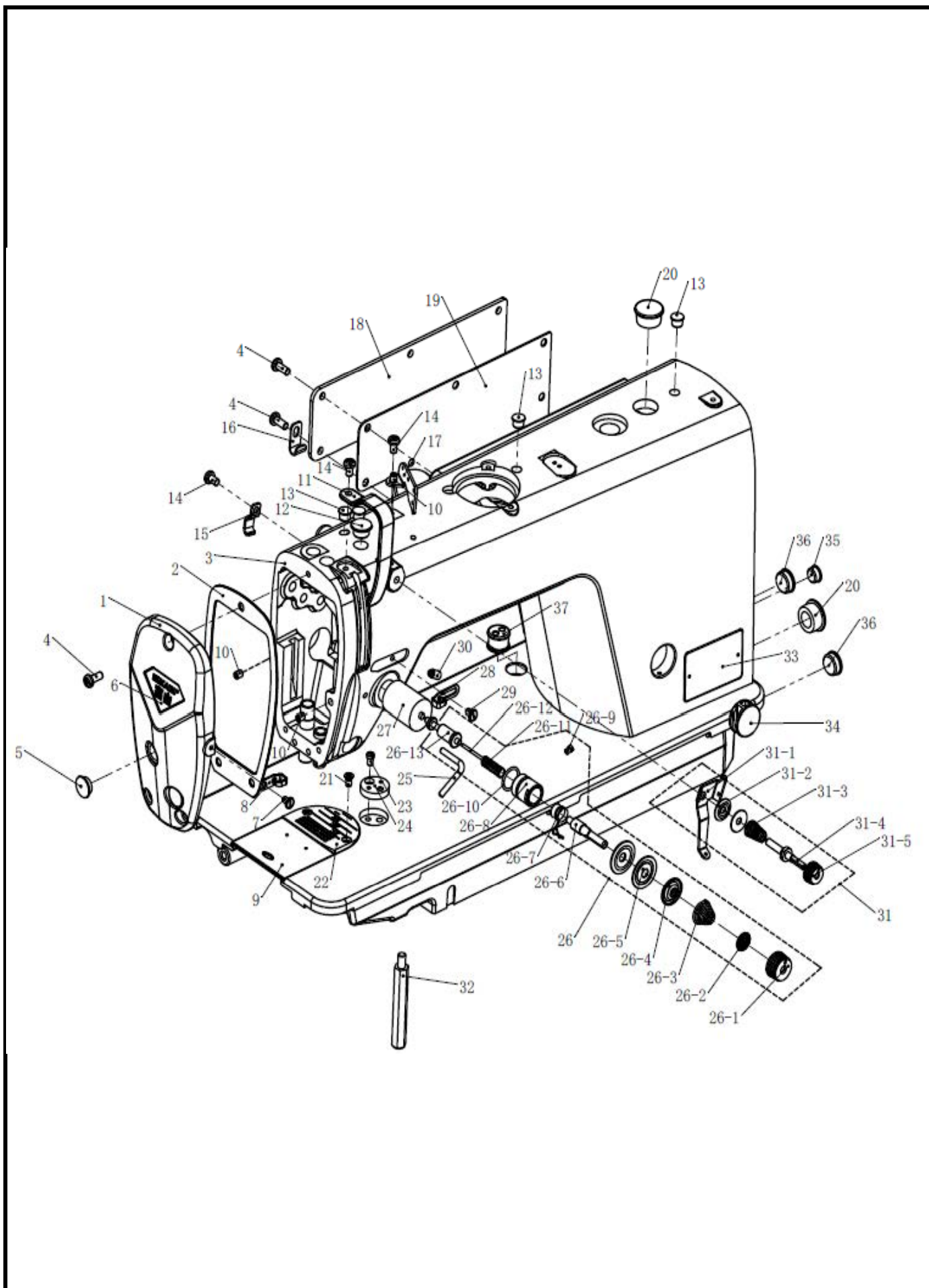


零件手册  
PARTS BOOK

## 目录/Catalogue

1.机壳.外装部件/Machine frame&miscellaneous cover components.....	P1
2.上轴.挑线部件/Main shaft&thread up lever components.....	P5
3.针杆.竖轴.下轴部件/Needle bar, upright shaft&hook driving shaft components.....	P7
4.压杆部件/Hand lifter components.....	P9
5.送料部件/Feed machine components.....	P11
6.自动切线部件/Thread trimmer components.....	P13
7.自动倒缝与调针距部件/Automatic reverse feed and stitch length components.....	P15
8.驱动及控制部件/Driver and control components.....	P16
9.润滑.绕线部件/Oil lubrication&belt cover components.....	P18
10.油盘部件/oil reservoir components.....	P20
11.附件/Accessories.....	P23

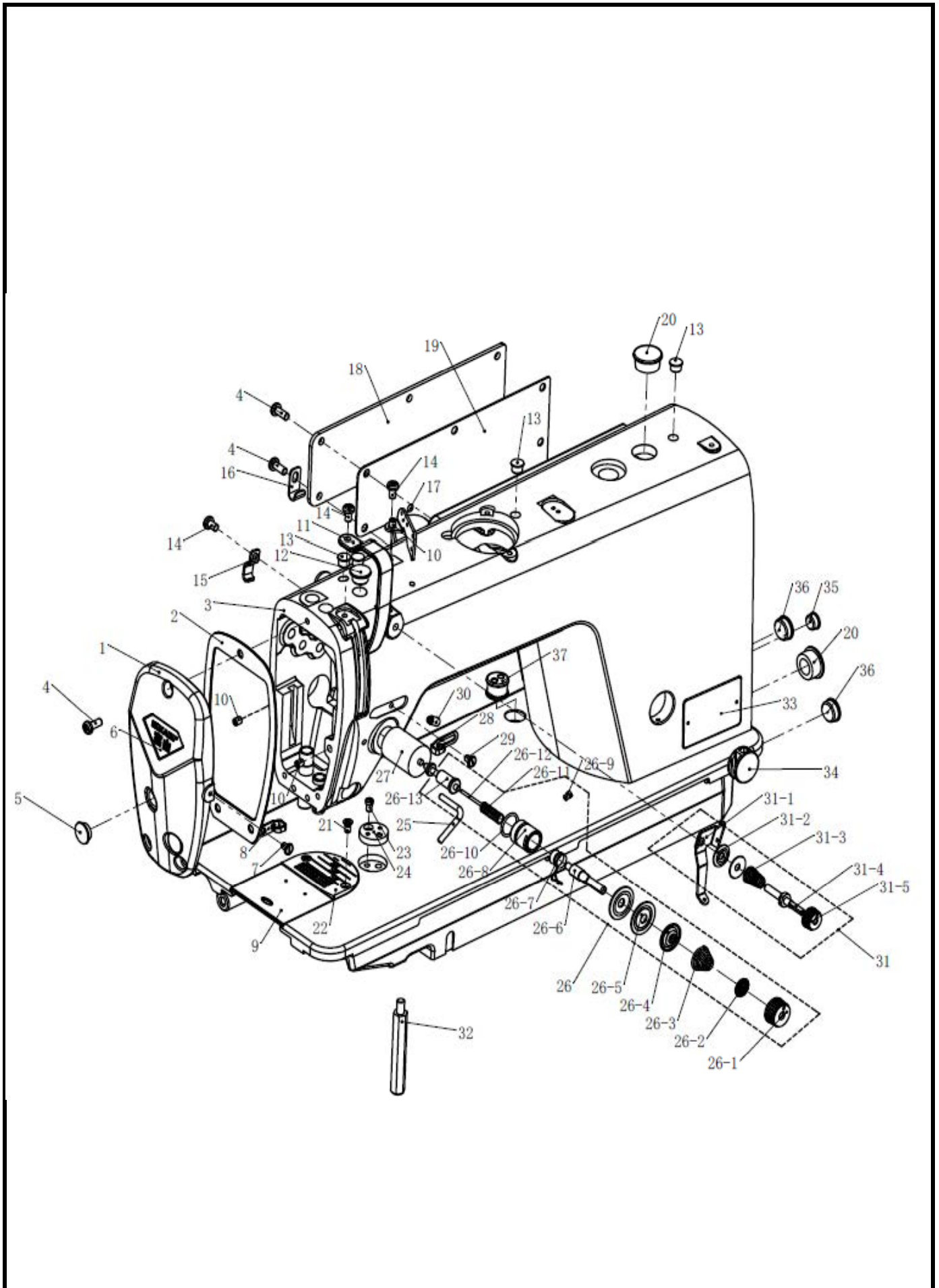
# 1、机壳部件/Machine frame&miscellaneous cover components



## 1、机壳部件/Machine frame&miscellaneous cover components

序号 Ref.No	图号 Part. No	零件名称	Name of parts	数量Qty
				H9500N-7D-5AK
1	130.01-11	面板	Plate	1
2	130.01-12	面板垫	Plate agsket	1
3	130.01-20	机壳组件	Machine cover	1
4	01-405001223-1	螺钉 M5x12	Screw	10
5	22-12404016	橡胶塞	Rubber plug	2
6	130.01-13	钻石型面板贴	Plate stick	1
7	02-611400621-1	螺钉 SM11/64x40x6	Screw	2
8	101.01-32	左线钩	Arm thread guide Left	1
9	101.01-46	推板组件	Slide plate asm.	1
10	01-805000614-1	螺钉 M5x6	Screw	1
11	130.01-22	挑线杆防护罩	Thread take-up lever cover	1
12	22-12507017	橡胶塞	Rubber plug	1
13	22-08506011	橡胶塞8.5x6x10.5	Rubber plug	4
14	01-405000823-1	螺钉 M5x6	Screw	3
15	103.18-04	线夹U2-9500A	Clamp	1
16	126.01-06	线夹U2-9500A	Clamp	1
17	110.01-07	面线过线板	Spool pin	1
18	130.01-24	后窗板	Side plate	1
19	130.01-25	后窗板密封垫	Gasket	1
20	22-20809024	橡胶塞	Rubber plug	1
21	02-211400823-1	螺钉 SM11/64x40x8	Screw	2
22	130.01-44	针板	Throat plate	1
23	02-911400621-1	螺钉 SM11/64x40x6	Screw	1
24	103.01-11	定位座	Ruler stopper	1
25	<b>130.01-17</b>	缓线调节钩	Presser bar thread guide	1
26	101.01-27	夹线器组件	Thread tension asm.	1
26-1	101.01-27-01	小夹线螺母	Tension nut	(1)
26-2	101.01-27-02	夹线制动板	Rotating stopper	(1)
26-3	101.01-27-03	夹线簧	Tension spring	(1)
26-4	101.01-27-04	松线板	Thread tension disk presser	2
26-5	101.01-27-05	夹线板	Thread tension disk	(1)
26-6	101.01-27-06	夹线螺钉	Tension post	1
26-7	101.01-27-07	挑线簧	Take-up spring	(1)
26-8	101.01-27-09	挑线簧调节座	Tension post socket	(1)
26-9	02-909400421-1	螺钉	Screw	1
26-10	12-137160	挑线簧调节座O型圈	Rubber ring	1
26-11	101.04-24	松线辅钉弹簧	Tension spring	(1)
26-12	101.01-27-10	松线钉	Tension releasing	(1)
26-13	130.04-32	松线顶销	Tension pin	1
27	SD-02A	松线电磁铁	Tension electromagnet	1
28	101.01-25	右线钩	Arm thread guide Right	1
29	02-611400621-1	一字槽大帽螺钉	Screw	1
30	02-815281151-1	螺钉 SM15/64"×28×11	Screw	1
31	110.01-21G	调线夹线器组件	Thread tension asm.	1
31-1	110.01-23G	夹线过线板	Thread tension guide	(1)
31-2	101.01-21-03	小夹线板	Thread tension disk	(1)
31-3	101.01-21-04	小夹线簧	Thread tension spring	(2)
31-4	110.01-21-01G	调线夹线螺钉	Thread tension post	(1)

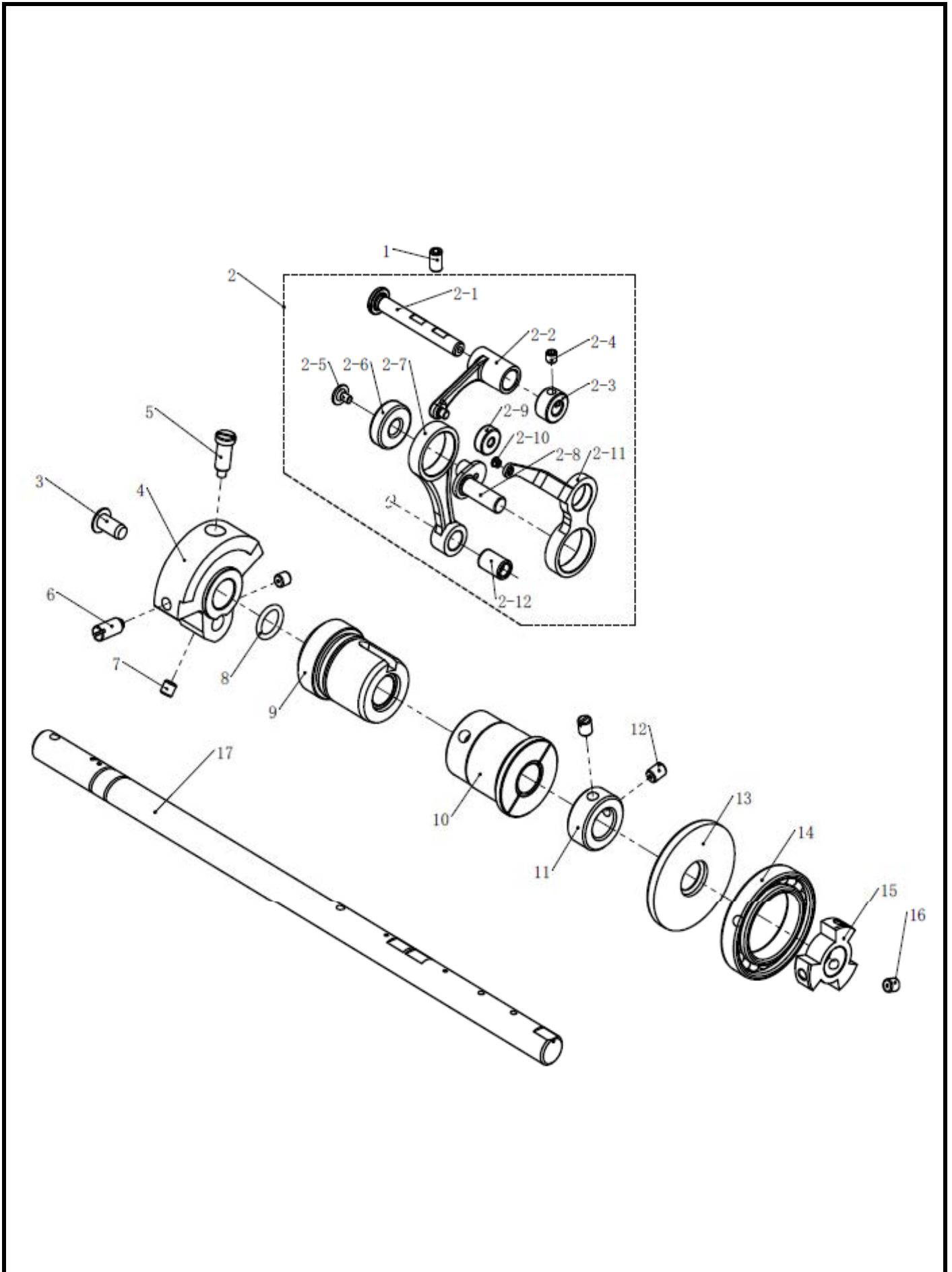
# 1、机壳部件/Machine frame&miscellaneous cover components



## 1、机壳部件/Machine frame&miscellaneous cover components

序号 Ref.No	图号 Part. No	零件名称	Name of parts	数量Qty
				H9500N-7D-5AK
31-5	101.01-21-05	小夹线螺母	Thread tension nut	1
32	128.01-09	底板支柱	Bed screw stud	4
33	126.01-16	综合型号牌	Model plate	1
34	103.08-59	油量视窗	Oil window	1
35	22-10705012	橡胶塞	Rubber plug	1
36	22-15608518	橡胶塞	Rubber plug	2
37	130.01-26	导线过线套	Rubber plug	1

## 2、上轴·挑线部件/Main shaft&Thread take-up lever components



## 2、上轴·挑线部件/Main shaft&Thread take-up lever components

序号 Ref.No	图号 Part. No	零件名称	Name of parts	数量Qty
				H9500N-7D-5AK
1	02-815281014-1	螺钉 SM15/64x28x12	Screw	1
2	129.02-07	挑线杆大组件	Thread take-up lever big asm.	1
2-1	129.02-07-01	挑线连杆销	Thread take-up crank shaft	(1)
2-2	129.02-07-03	挑线连杆	Thread take-up lever	(1)
2-3	129.02-07-02	挑线杆挡圈	Collar	(1)
2-4	01-805000514-1	螺钉M4×4	Screw	(2)
2-5	129.02-07-09	螺钉	Screw	(1)
2-6	14-608-2Z	深沟球轴承8×22×7	Thread take-up bearing	(2)
2-7	129.02-07-07	针杆连杆	Needle bar crank rod	(1)
2-8	129.02-07-06	挑线曲柄	Crank	(1)
2-9	14-624	深沟球轴承4×13×5	Thread take-up bearing	(1)
2-10	129.02-07-05	挑线过线套	Thread take-up	(1)
2-11	129.02-07-04	挑线杆	Thread take-up lever	(1)
2-14	129.02-07-08	衬套	Liner bushing	1
3	22-07014012	橡胶塞	Rubber plug	1
4	130.02-11	针杆曲柄	Needle bar crank	1
5	02-418281531-1	螺钉 SM9/32x28x15	Screw	2
6	02-818281651-1	螺钉 SM9/32x28x16	Screw	1
7	01-806750614-1	螺钉M6x0.75x6	Screw	4
8	12-125240	O形圈	Rubber ring	1
9	130.02-13	上轴前轴套	Main shaft front bushing	1
10	102.02-27	上轴中轴套	Bushing,intermediate	1
11	102.02-23	上轴挡圈	Collar	1
12	02-816400811-1	螺钉 SM1/4x40x8	Screw	1
13	13-14550550	上轴油封 φ 14.5x5x φ 55	Oil seal	1
14	14-61907-2Z	轴承	Bearing	1
15	102.02-44	连轴器	Linker	1
16	01-806750814-1	螺钉 M6x0.75x8	Screw	2
17	130.02-06	上轴	Main shaft	1

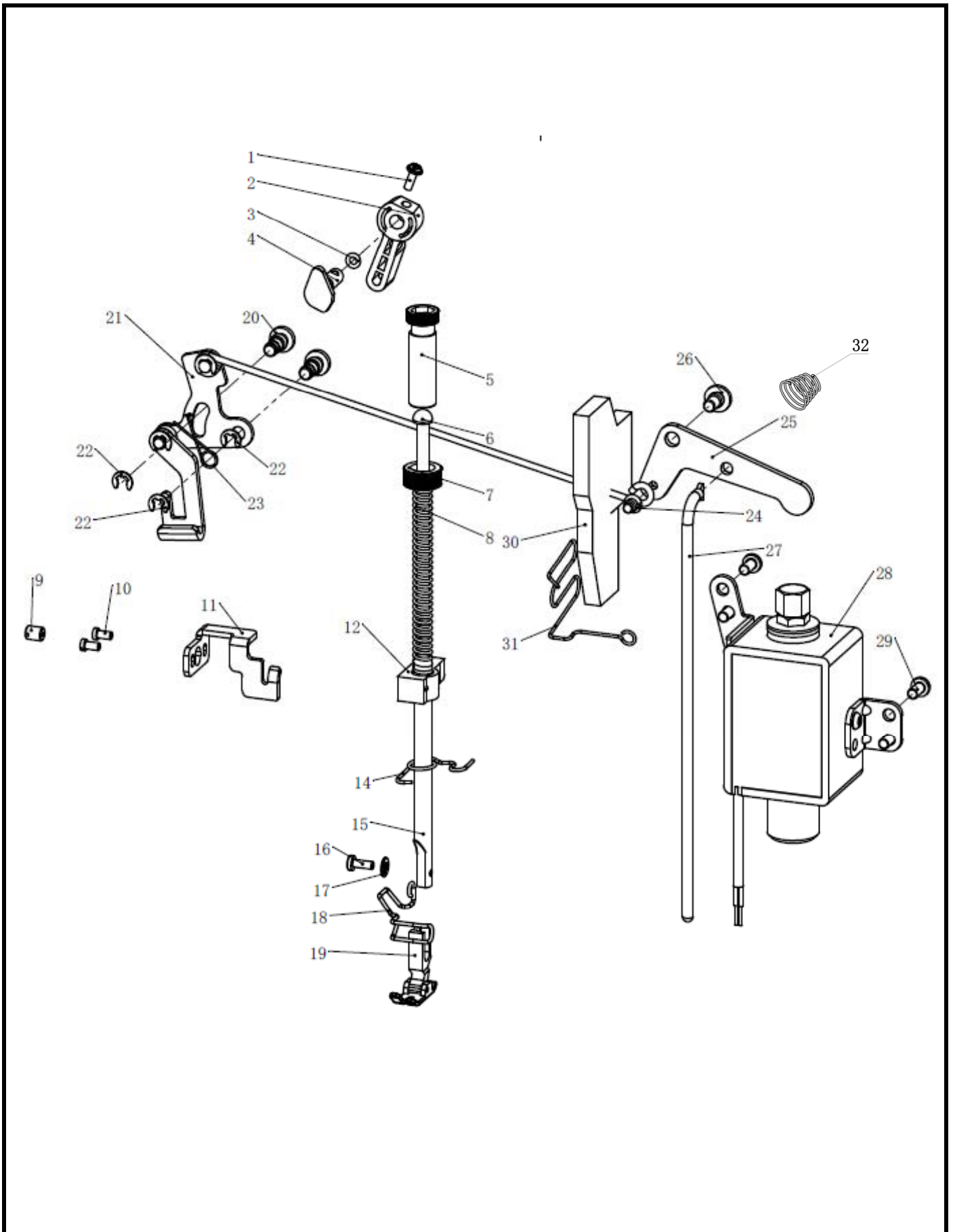




### 3、针杆·竖轴·下轴部件/Needle bar,upright shaft&hook driving shaft components

序号 Ref.No	图号 Part. No	零件名称	Name of parts	数量Qty
				H9500N-7D-5AK
1	22-08506511	橡胶塞 φ8.5x6.5xφ10.5	Cap	1
2	130.03-05	针杆上套	Needle bar bushing (upper)	1
3	130.03-06	针杆	Needle bar	1
4	02-509400721-1	螺钉 SM9/64x40x5	Screw	1
5	129.02-07-10	针杆连接柱	Needle rod holder	1
6	102.03-06A	针杆连接柱滑块	Slide block	1
7	130.03-07	针杆下套	Needle bar bushing (lower)	1
8	101.13-08	针杆下套线钩	Needle bar thread guide	1
9	02-508440521-1	螺钉 SM1/8x44x5	Screw	1
10	101.03-10	针杆线钩	Needle bar thread guide	1
11	8020302	机针DB_1-14	Needle	1
12	02-816400711-1	螺钉 SM1/4x40x7	Screw	8
13	101.03-12	上轴伞齿轮	Conical gear	1
14	101.03-14	竖轴上伞齿轮	Conical gear	1
15	122.03-16	竖轴下伞齿轮	Gear	1
16	101.03-18	下轴伞齿轮	Conical gear	1
17	101.03-20	竖轴	Upright shaft	1
18	02-815280814-1	螺钉 SM15/64x28x8	Screw	2
19	101.03-21	竖轴上轴套	Upright shaft bushing (upper)	1
20	101.03-23	竖轴下轴套	Upright shaft bushing (lower)	1
21	102.03-40	下轴限油螺钉	Oil seal screw	1
22	101.03-35A	下轴限油芯	Oil wick	1
23	13-07230120	油封7.2x3x12	Grease seal	1
24	130.03-08	下轴前轴套	Lower shaft bushing	1
25	102.03-31	下轴	Lower shaft	1
26	13-07270220	油封7.2x7x22	Grease seal	2
27	130.03-03	下轴中轴套	Bushing (intermediate)	1
28	101.03-26	下轴挡圈	Thrust collar	1
29	02-511400511-1	螺钉 SM11/64x40x5	Screw	2
30	101.03-24	下轴后轴套	Bushing rear	1
31	122.03-37-02	梭壳	Bobbin case	1
32	101.03-37-02	梭心	Bobbin	1
33	101.03-36-02	广濂电脑旋梭	Hook	1
34	108.07-14	旋梭定位钩	Bobbin case holder	1
35	02-511401221-1	螺钉 SM11/64x40x12	Screw	1

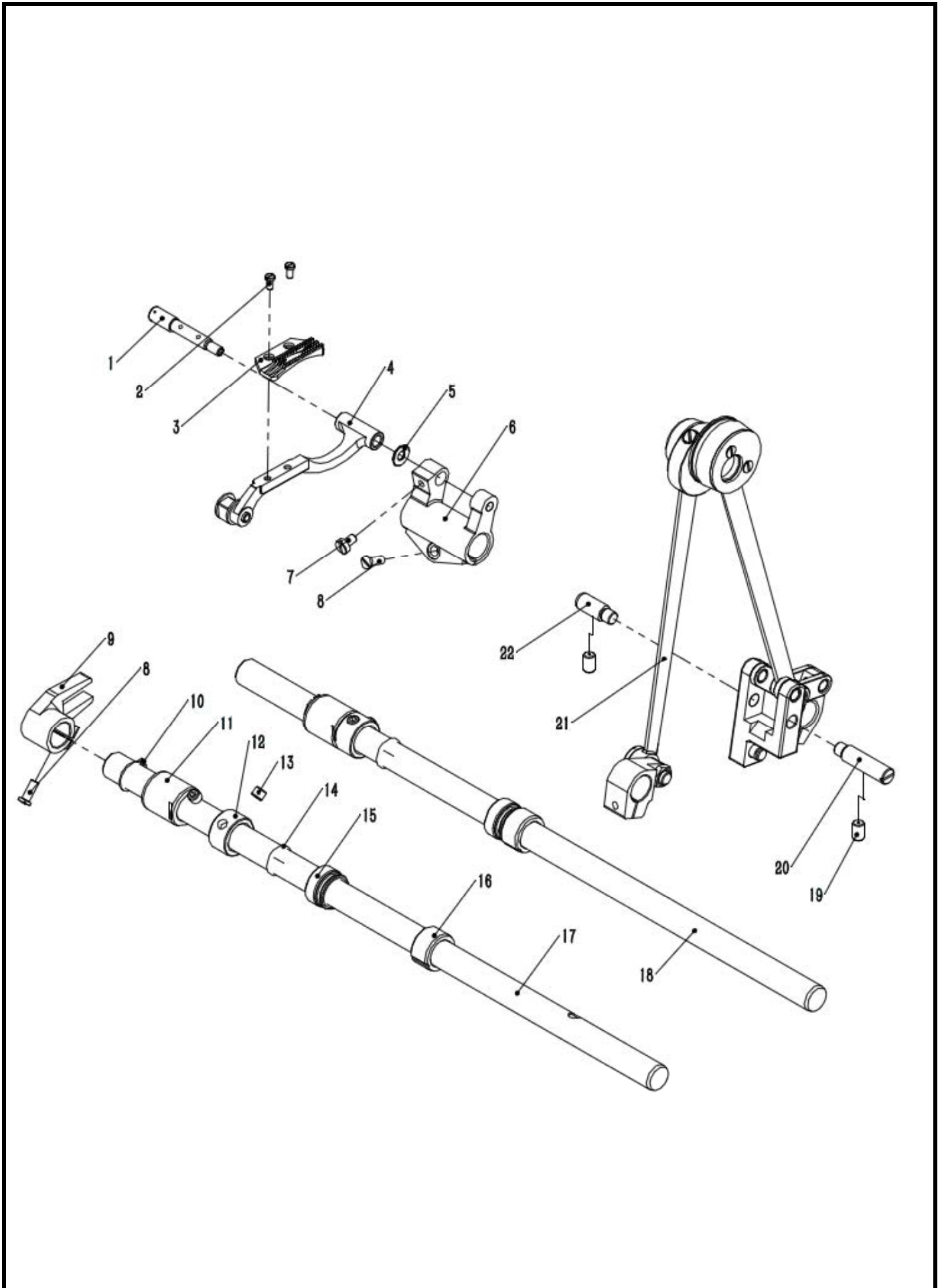
#### 4、压杆部件/Hand lifter components



#### 4、压杆部件/Hand lifter components

序号 Ref.No	图号 Part. No	零件名称	Name of parts	数量Qty
				H9500N-7D-5AK
1	19-409401023-1	螺钉 SM9/64x40x10	Screw	1
2	101.04-01	压脚扳手	Hand lifter	1
3	12-038180	O型圈 $\phi 3.8 \times \phi 1.8$	Rubber ring	1
4	101.04-04	压脚扳手凸轮组件	Hand lifter cam asm.	1
5	101.04-32	调压螺钉	Presser spring regulator	1
6	101.04-40	调压导杆	Presser guide bar	1
7	101.04-31	调压螺母	Presser adjusting screw nut	1
8	101.04-33	调压簧	Presser adjusting spring	1
9	02-816400811-1	螺钉 SM1/4x40x8	Screw	1
10	02-509400721-1	螺钉	Screw	2
11	130.04-31	松线板	Thread tension disk presser	1
12	101.04-34	压杆导架	Presser bar guide bracket	1
13	130.04-26	压杆轴套	Presser bar bushing	1
14	126.09-04	油垫夹	Oil padding clip	1
15	101.04-35	压杆	Presser bar	1
16	02-509401021-1	螺钉 SM9/64x40x10	Screw	1
17	05-043080900-1	平垫片4.3x0.8x9	Washer	1
18	104.03-29	护指器	Finger Protector	1
19	101.04-09A	活压脚组件	Presser foot asm.	1
20	102.04-07	前杠杆螺纹销	Link shaft	2
21	130.04-27	前杠杆组件	Lifting the front foot lever sha	1
22	06-0500810-1	开口挡圈	Thrust collar	3
23	130.04-34	前杠杆复位簧	front bar reset spring	1
24	101.04-11	活压脚压杆螺钉	Screw	1
25	126.04-02	抬压脚后杠杆	Lifting lever link	1
26	101.04-12	后杠杆轴位螺钉	Screw	1
27	126.04-01	抬压脚顶杆	Lifting ejector pin	1
28	TD-02A	抬压脚电磁铁组件	Presser foot lifting asm.	1
29	01-405001023	螺钉	Screw	4
30	130.09-38	海棉固定架	Sponge Fixer	1
31	130.09-37	过滤海棉	Filter sponge	1
32	101.01-21-04	小夹线簧	Spring	1

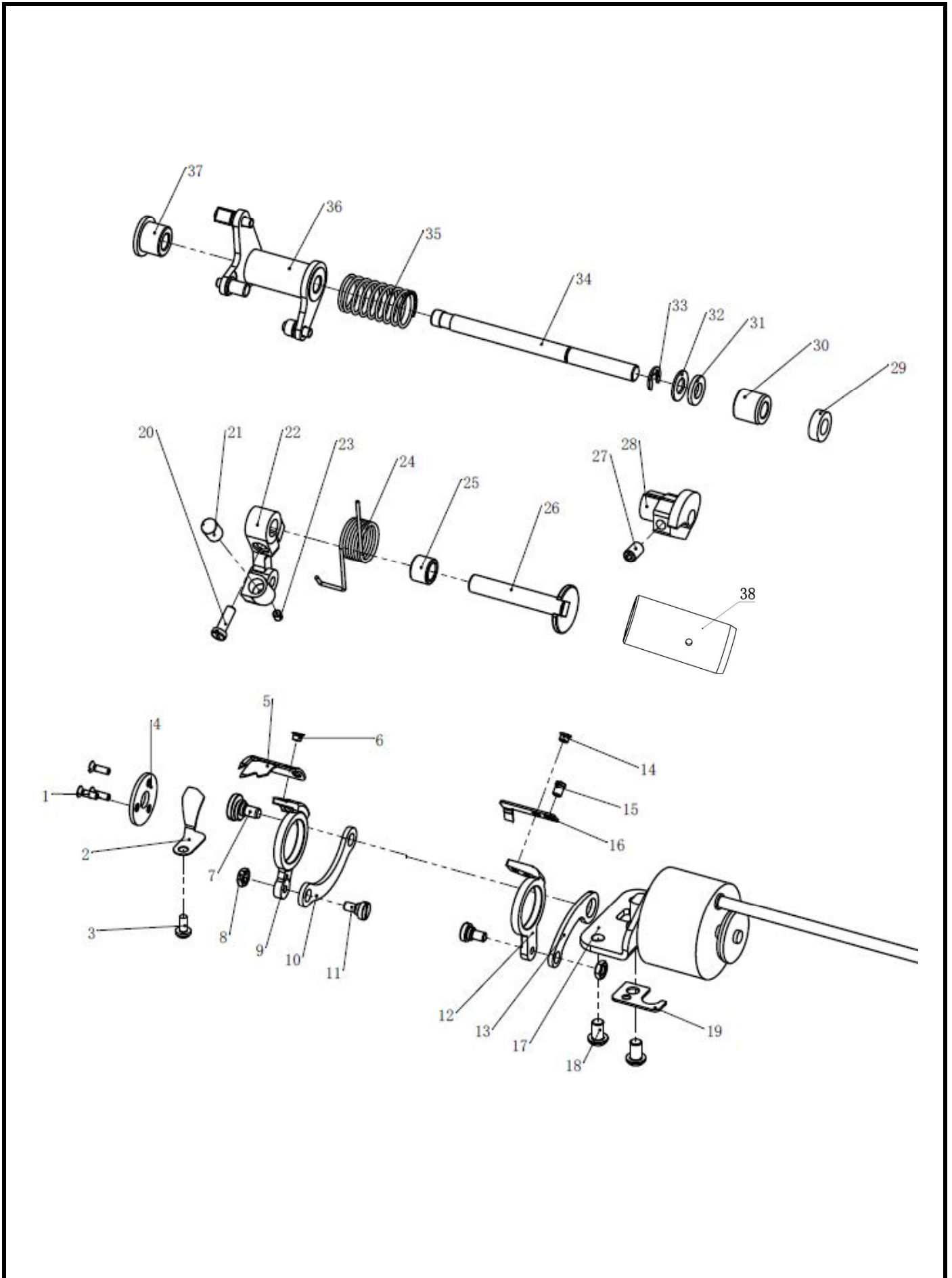
## 5、送料部件/Feed mechanism components



## 5、送料部件/Feed mechanism components

序号 Ref.No	图号 Part. No	零件名称	Name of parts	数量Qty
				H9500N-7D-5AK
1	130.05-31	牙架销	Feed bar shaft pin	1
2	02-608440621-1	螺钉 SM1/8x44x6	Screw	2
3	130.05-33	送料牙	Feed dog	1
4	101.05-35-01	牙架	Feed bar asm.	1
5	05-051081203-5	平垫片	Flat gasket	1
6	101.05-55	牙架座	Feed bar crank	1
7	02-511400721-1	螺钉 SM11/64x40x7	Screw	1
8	02-411401121-1	螺钉 SM11/64x40x11	Screw	2
9	101.05-57	抬牙叉形曲柄	Driving shaft crank	1
10	10-1381017-1	轴用挡圈 $\phi 13.8 \times 1$	Retaining ring	2
11	130.05-20	送料轴左套	Left shaft of feeding shaft	2
12	101.02-17	上轴挡圈	Thrust collar	2
13	02-816400514-1	螺钉 SM1/4x40x5	Screw	4
14	12-125240	O型圈	Rubber ring	4
15	14-14312210	油封	Grease seal	2
16	130.05-25	送料轴中轴套	shaft bushing of feeding shaft	2
17	130.05-21	抬牙轴	Feed driving shaft	1
18	130.05-22	送料轴	Feed rocker shaft	1
19	02-815281014-1	螺钉	Screw	2
20	102.05-28-01	摆动板座销钉(长)	Swinging plate pin	1
21	130.02-12	送料偏心轮大组件	Feed eccentric assembly	1
22	101.05-28	摆动板座销钉(短)	Adjusting link fulcrum shaft p	1

## 6.自动切线/Thread trimmer components

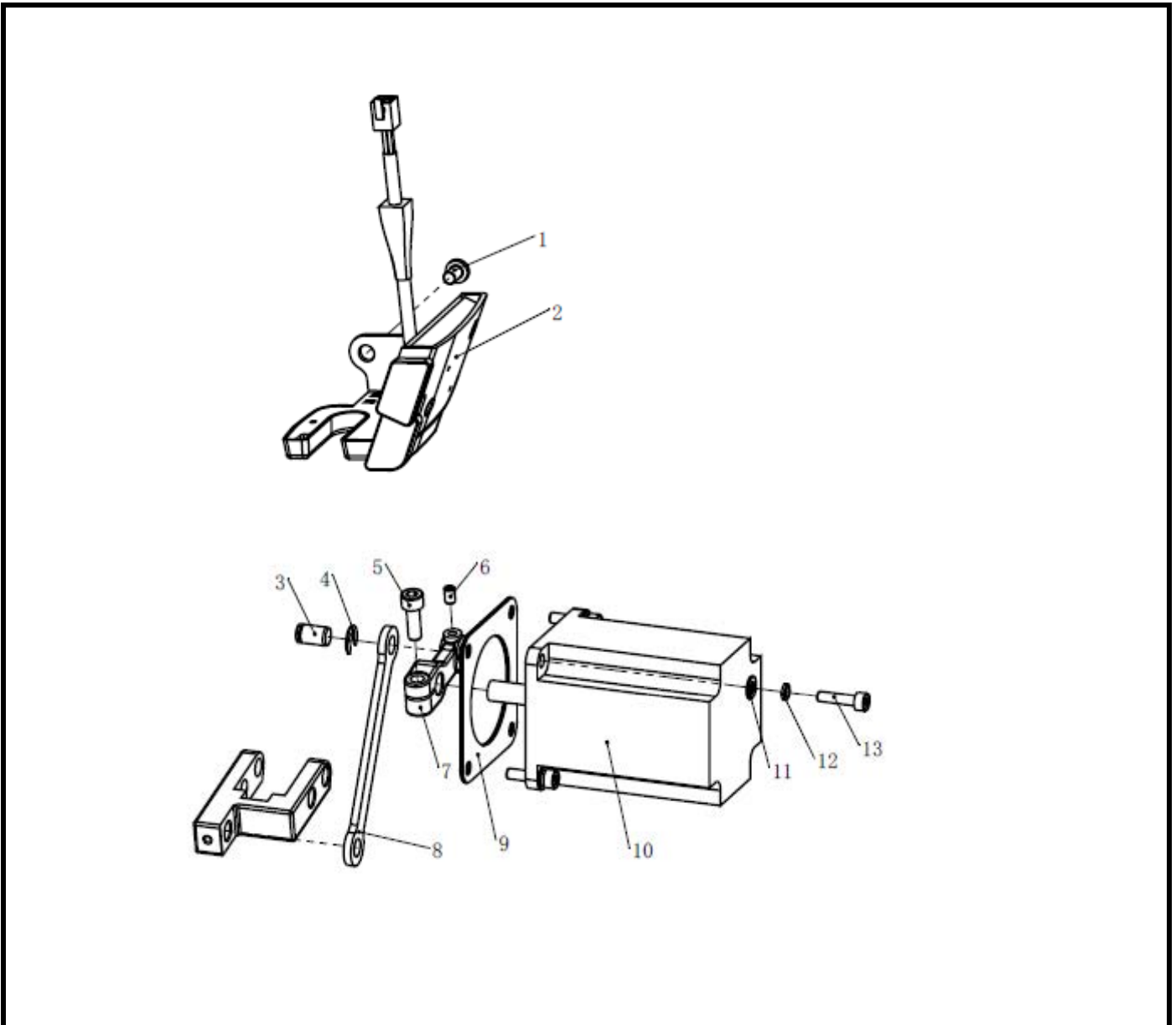


## 6.自动切线/Thread trimmer components

序号 Ref.No	图号 Part. No	零件名称	Name of parts	数量Qty
				H9500N-7D-5AK
1	01-103001021-1	螺钉	Screw	3
2	130.06-23	分线器	Protect needle patch	1
3	19-509400821	螺钉	Screw	1
4	103.11-13	切线架压板	Partiality shank	1
5	130.06-33	下切刀	Knife U	1
6	02-111400524-1	螺钉	Screw	2
7	130.06-37	偏心销	Shaft pin	1
8	04-611400300	六角螺母	Nut	2
9	130.06-34	下切刀架	Knife bracket	1
10	102.06-15	刀轴连杆	Knife shaft connecting rod	1
11	130.06-36	连杆螺钉	Screw	1
12	130.06-31	上切刀架	Knife bracket	1
13	130.06-32	上切刀连杆	Knifecconnecting rod	1
14	02-111400424-1	螺钉	Screw	1
15	02-511400621-1	螺钉	Screw	1
16	130.06-30	上切刀	Knife	1
17	QD-02F	切线电磁铁	Thread trimmer solenoid	1
18	02-315280921-1	螺钉	Screw	2
19	130.06-26	压线片	Washer	1
20	02-512321524-1	内六角圆柱头螺钉	Screw	1
21	103.11-09-06G	止动块	Stop block	1
22	130.06-16	切刀驱动曲柄	Thread shear rock crank	1
23	01-804000414-1	螺钉M4×6	Screw	1
24	130.06-26	切线曲柄弹簧	Spring	1
25	102.06-23	驱动曲柄轴短套	Short bush	1
26	130.06-22	切刀驱动曲柄轴	Thread shear rock arm shaft	1
27	02-816401014-1	螺钉	Screw	2
28	103.11-01	切线凸轮曲柄	Thread shear rock arm shaft	1
29	13-08050150	油封D8×D15×5	Grease seal	1
30	130.06-29	切刀驱动轴套	Axle sleeve	2
31	102.06-33	电磁铁缓冲垫	Magnetic plug cushion mat	1
32	05-081101550	平垫片	Flat gasket	1
33	06-0601012-1	挡圈	E-ring	1
34	130.06-09	切刀驱动轴	Thread shear shaft	1
35	102.06-32	切线凸轮复位弹簧	Spring	1
36	102.06-26	切线凸轮曲柄	Thread shear rock arm shaft	1
37	102.06-31	扭簧端盖	Spring cover	1
38	130.06-35	切线轴套	Axle sleeve	1



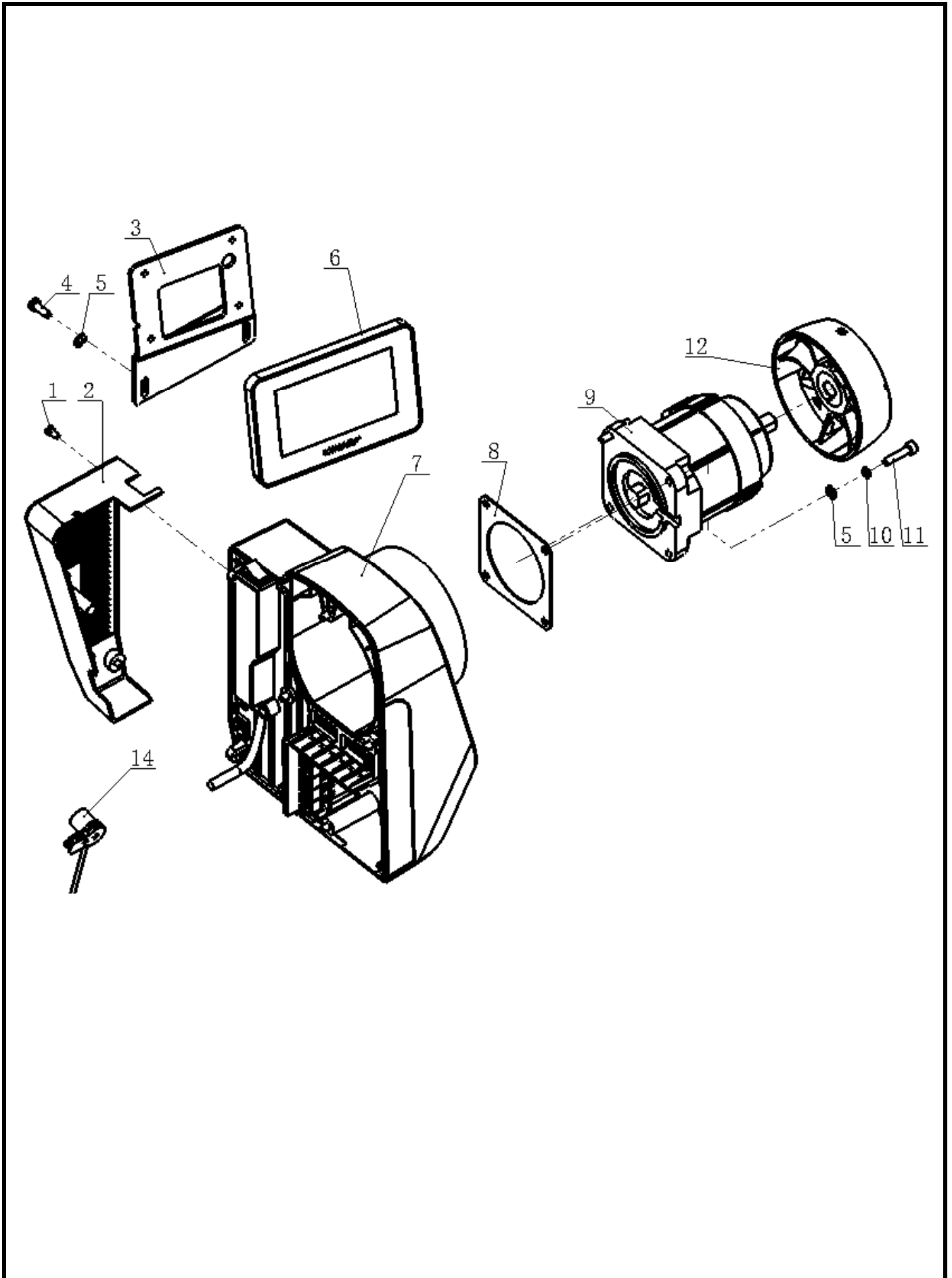
## 7.自动倒缝与调针距部件/Automatic reverse feed and stitch length components



## 7.自动倒缝与调针距部件/Automatic reverse feed and stitch length components

序号 Ref.No	图号 Part. No	零件名称	Name of parts	数量Qty
				H9500N-7D-5AK
1	01-405000823-1	螺钉M5×8	Screw	2
2	DL-18-F	倒缝照明灯组件	Reverse switch asm.	1
3	130.05-07-02	销	Shaft pin	1
4	06-0500611-1	开口挡圈5×0.6×11	E-ring	2
5	01-505001424-1	螺钉M5×14	Screw	1
6	01-804000614-1	螺钉M4×6	Screw	1
7	130.05-07-01	针距切换曲柄	Connecting arm	1
8	130.05-06	切换连杆	Turning connecting shaft	1
9	130.05-13	步进电机密封垫	Washer	1
10	130.05-15	步进电机M0-02F-57	Stepper motor	1
11	05-043080900-1	平垫片4.3×0.8×9	Washer	4
12	07-0421111-1	弹簧垫圈4.2×1.1×1.1	Spring Washer	4
13	01-504001624-1	螺钉M4×16	Screw	4

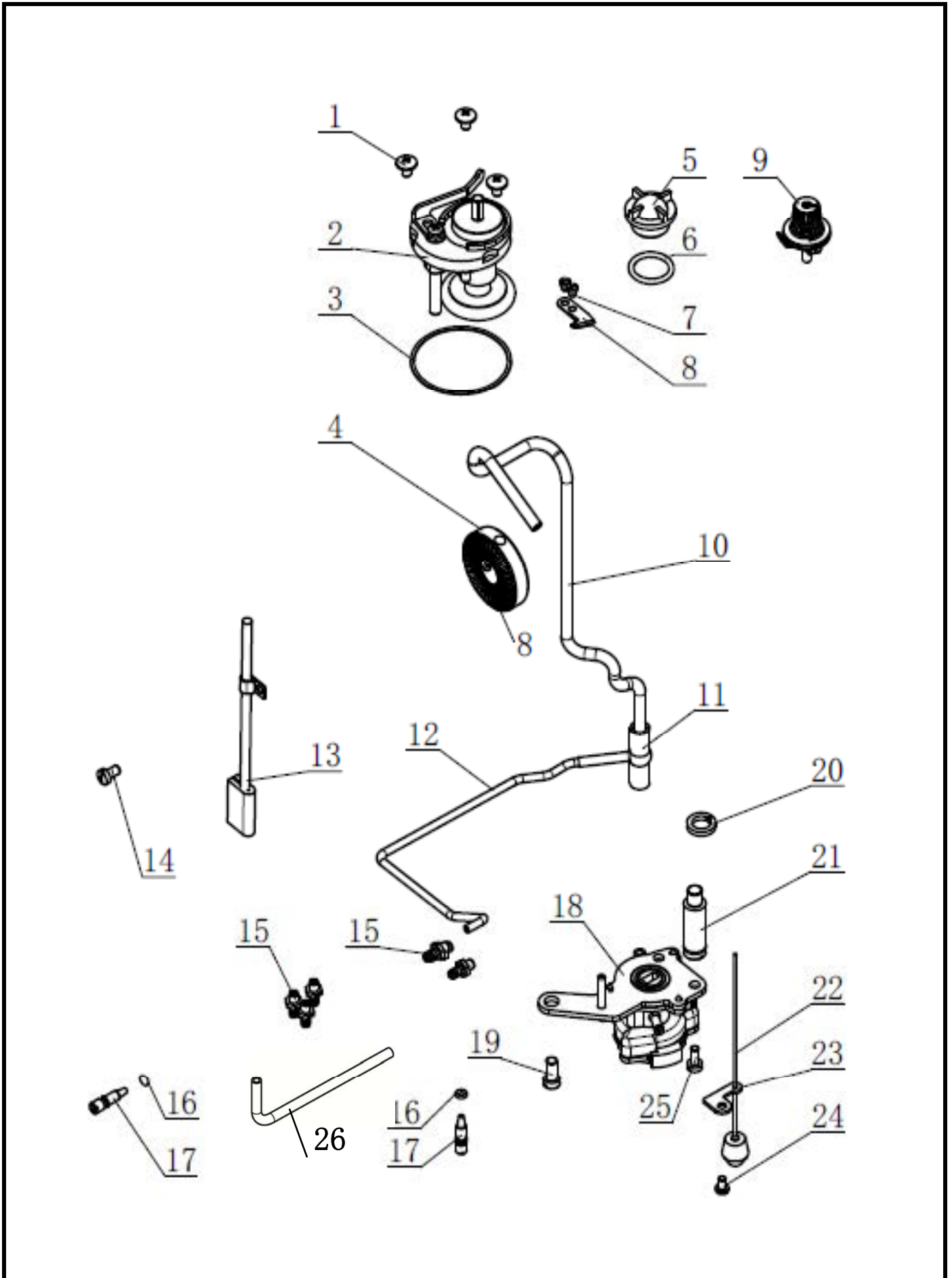
## 8. 驱动及控制部件/Driver and control components



## 8.驱动及控制部件/Driver and control components

序号 Ref.No	图号 Part. No	零件名称	Name of parts	数量Qty
				H9500N-7D-5AK
1	01-404000821-1	螺钉M4×8	Screw	2
2	130.08-06	电线罩	Wire cover	1
3	CP02F-02-A00	操作面板安装支架	Operations panel holder	1
4	01-405001423-1	螺钉M5×8	Screw	1
5	05-053101000-1	平垫片5.3×1×10	Washer	6
6	CP-02F	操作面板组件	Operations panel	1
7	CB-02F	H9500电控	Control asm.	1
8	130.08-02	电机密封垫	Washer	1
9	M0-02F-550	电机组件	Motor asm.	1
10	07-0521313-1	弹簧垫圈5.2×1.3×1.3	Spring Washer	4
11	02-505002224-1	螺钉	Screw	4
12	130.02-34	手轮组件	Handwheel	1
13	02-815281014-1	螺钉 SM15/64x28x10	Screw	2
14	JD-02F	起针夹线器	Thread tension solenoid	1

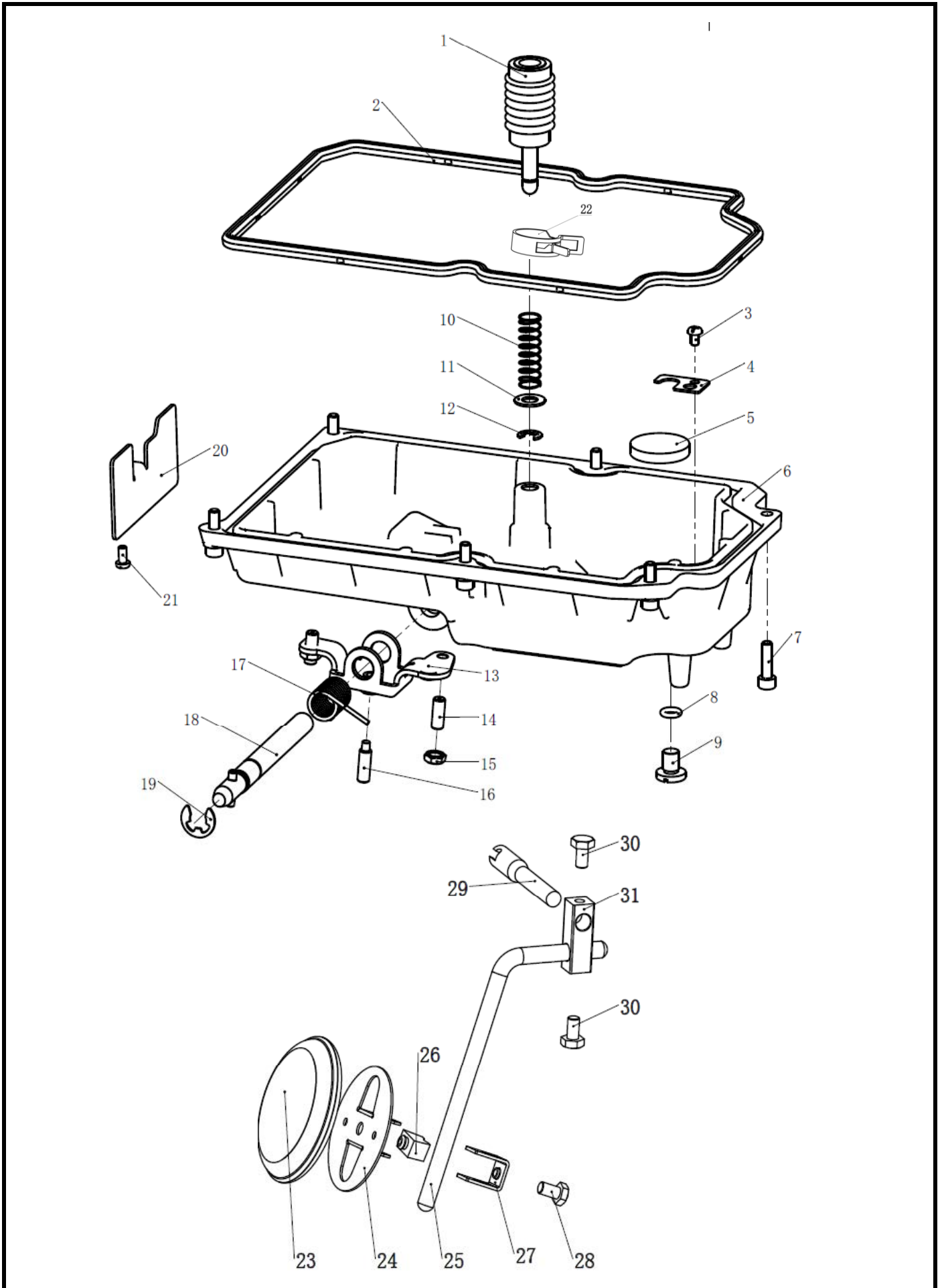
## 9、润滑·绕线部件/Oil lubrication components&bobbin components



## 9、润滑·绕线部件/Oil lubrication components&bobbins components

序号 Ref.No	图号 Part. No	零件名称	Name of parts	数量Qty
				H9500N-7D-5AK
1	02-312320722-3	螺钉 SM3/16×28×7	Screw	3
2	102.09-32A	绕线器组件	Bobbins winder unit	1
3	102.09-42	绕线轮垫圈	Washer	1
4	102.09-37	绕线驱动轮	Bobbins winder driving wheel	1
5	101.09-01	油窗	Oil sight window	1
6	12-190265	油窗O型圈	Rubber ring	1
7	02-509400421-1	螺钉 SM9/64×40×4	Screw	2
8	102.09-34	切刀	Knife	1
9	102.09-36	夹线器组件	Thread tension asm.	1
10	130.09-34	上轴供油管	Main shaft oil tube	1
11	101.09-16	供油管接头	Rubber joint	1
12	130.09-35	旋梭供油管	Oil tube	1
13	130.09-40	回油管组件	Oil Return Pipe Components	1
14	02-412320821	螺钉	Screw	1
15	103.08-33	供油口	Oil Feeding pipe	6
16	12-036140	O型圈	Rubber ring	2
17	130.09-09	油量调节螺钉	Oil adjusting screw	2
18	101.09-11	油泵组件	Lubricating oil pump asm.	1
19	02-515281321-1	螺钉 SM15/64×28×13	Screw	1
20	07-0631616-1	弹簧垫圈6.3×1.6×1.6	Spring Washer	1
21	101.09-13A	油泵连接螺柱	Oil pump support,large	1
22	130.09-30	测油浮标	Oil measurement buoy	1
23	130.09-31	浮标导板	Buoy guide plate	1
24	10-404000623	螺钉	Screw	1
25	02-511401021-1	螺钉 SM11/64×40×10	Screw	1
26	103.08-36-1-4C	油管120mm	Oil tube , 120mm	3

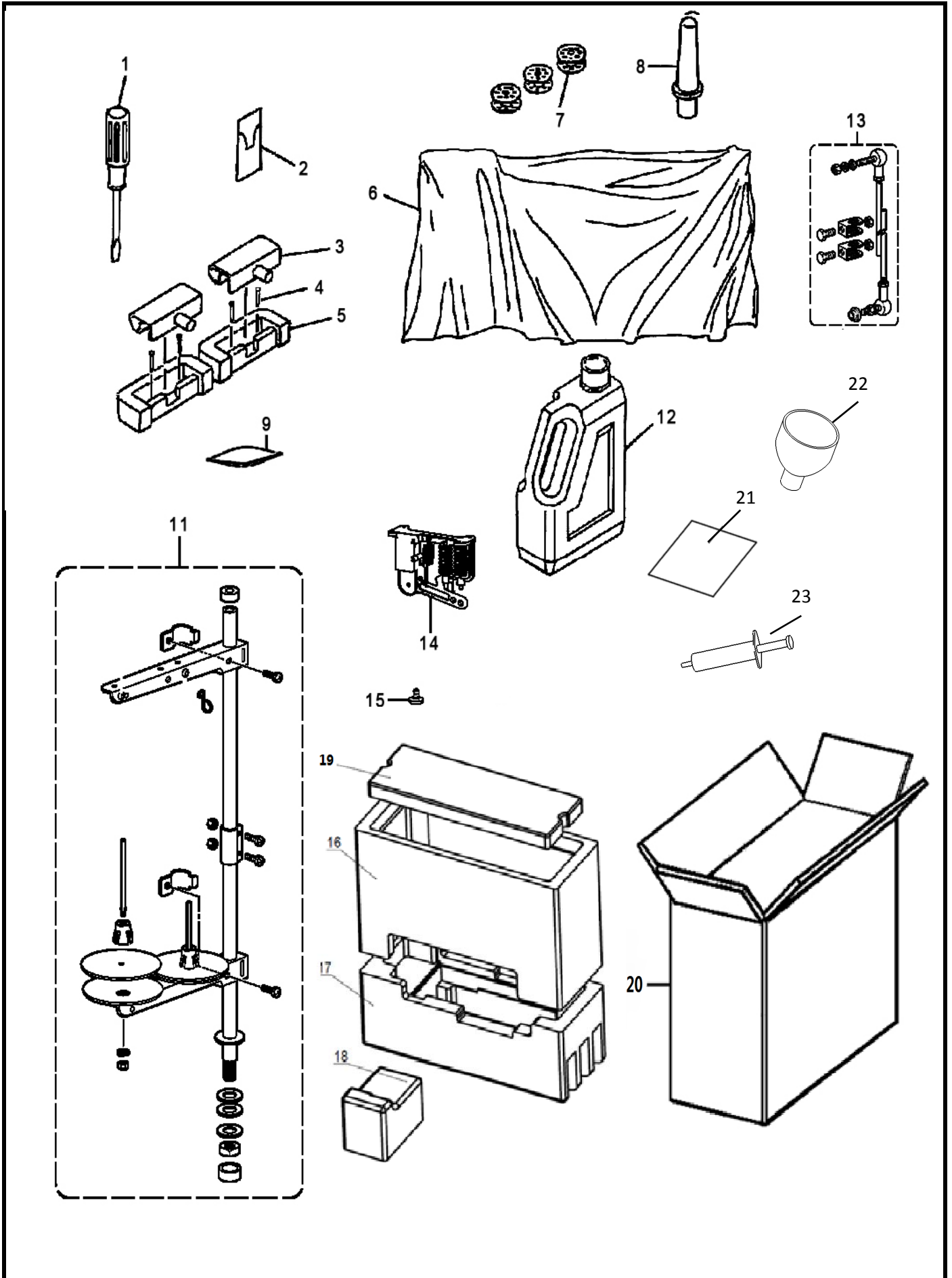
## 10.油盘部件/Oil reservoir components



## 10.油盘部件/Oil reservoir components

序号 Ref.No	图号 Part. No	零件名称	Name of parts	数量Qty
				H9500N-7D-5AK
1	130.04-13	膝控顶杆		1
2	130.09-25	橡胶密封圈	Rubber ring	1
3	01-404000623-1	螺钉M4×6	Screw	3
4	130.06-26	压线片	Washer	1
5	130.09-10	磁铁	magnet	1
6	130.09-32	底板油盘	Oil reservoir	1
7	01-505001824-1	螺钉M5×18	Screw	9
8	12-062240	o型6.2×2.4	Rubber ring	1
9	02-608001121-1	螺钉M8×10	Screw	1
10	130.04-33	膝控顶杆复位簧	Spring	1
11	05-081101553-5	平垫片8.1×1.0×15.5	Washer	1
12	06-0601012-1	开口挡圈6×1.0×12	E-ring	1
13	101.10-05-01	抬压脚双向曲柄	Knee lifting rotating arm	1
14	01-806001614-1	螺钉M6×16	Screw	2
15	03-606000350-1	六角螺母	Nut	3
16	01-806002034-1	螺钉M6×20	Screw	1
17	128.09-27	双向曲柄扭簧	Spring	1
18	128.04-30	膝控抬压脚轴	Knee press cross shaft	1
19	06-0901018-1	开口挡圈9×1.0×16	E-ring	1
20	130.09-36	挡油板	Oil ballfe	1
21	01-404000823-1	螺钉M4×8	Screw	2
22	130.09-41	油管夹	Clip	1
23	101.10-06-01	操纵板软垫	Knee pan plate cover	1
24	101.10-06-04	操纵板	Knee pan plate	1
25	101.10-06-02	操纵杆	Knee pan upright shaft	1
26	101.10-06-03	操纵杆垫	Knee pan plate rubber	1
27	101.10-06-05	操纵杆节头	Knee pan plate support	1
28	101.10-06-06G	节头螺钉	Screw	1
29	123.03-12	膝控连接轴	Knee press cross shaft	1
30	101.10-06-05G	操纵杆节头	Knee pan plate support	2
31	101.10-06-04G	抬压脚操纵杆节头	Knee pan plate support	1

# 11.附件/Accessories





## 11.附件/Accessories

序号 Ref.No	图号 Part. No	零件名称	Name of parts	数量Qty
				H9500N-7D-5AK
1	113.16-19	两用螺丝刀	Screw driver	1
2	101.03-11	机针DB_1-14	Needle	5
3	101.14-01	机头连接钩	Machine hinge plate asm.	2
4	101.14-02	机头连接钩座钉	Nail	4
5	101.14-03	机头连接钩座	Machine hinge plate	2
6	101.14-08	机头罩	Macgube head cover	1
7	101.03-37-02	梭心	Bobbin	3
8	101.14-09	机头支柱	Macgube rest cover	1
9	101.12-20	空气干燥剂	Air drier	1
11	101.12-01	过线架组件	Thread stand asm.	1
12	101.14-10	油箱	Oil reservoir asm.	1
13	M-02F-010	活球连杆组件	Live festival ball link asm.	1
14	KS-02F	控速器组件	Treadle asm.	1
15	21-3501932-4	十字半圆头木螺钉	Screw	4
16	128.11-01-01	上泡沫	Foam mat (top)	1
17	128.11-01-02	下泡沫	Foam mat (bottom)	1
18	128.11-01-03	中泡沫	Foam mat (middle)	1
19	128.11-01-04	泡沫盖	Foam mat (cover)	1
20	128.11-02	外箱	Outside box	1
21	126.11-09	附件箱清单	list	1
22	201.22-07-08-10	漏斗	funnel	1
23	103.20-108	管嘴	Grease tube	1