

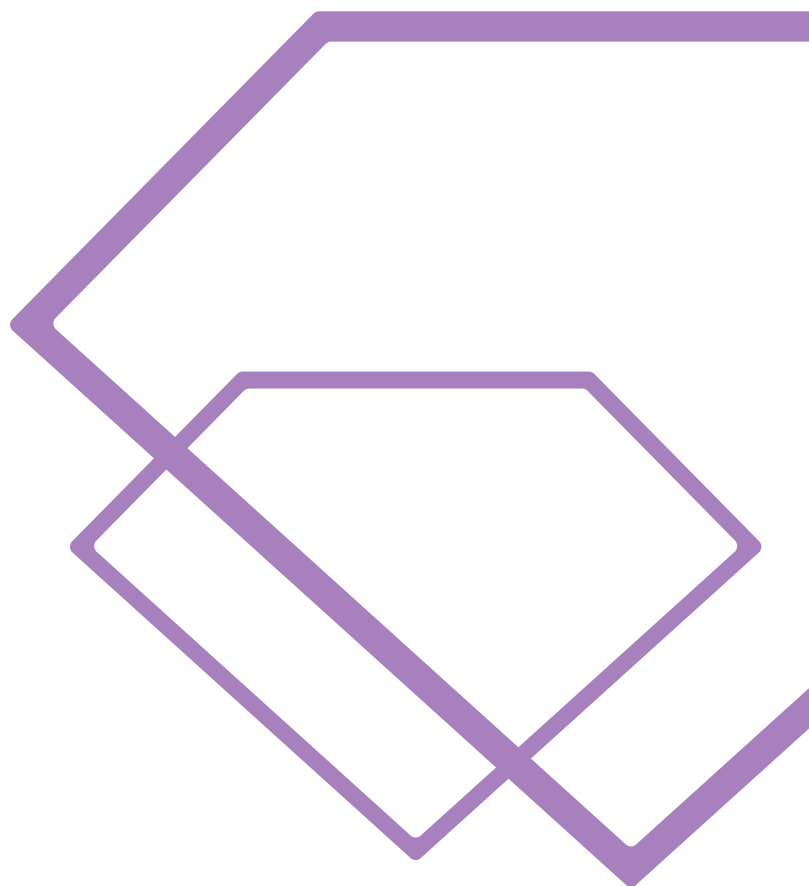
新一代智能缝纫机

NEW GENERATION OF INTELLIGENT SEWING MACHINE

HIKARI® 富山

零件手册

PARTS BOOK



H9V-I 系列
Series

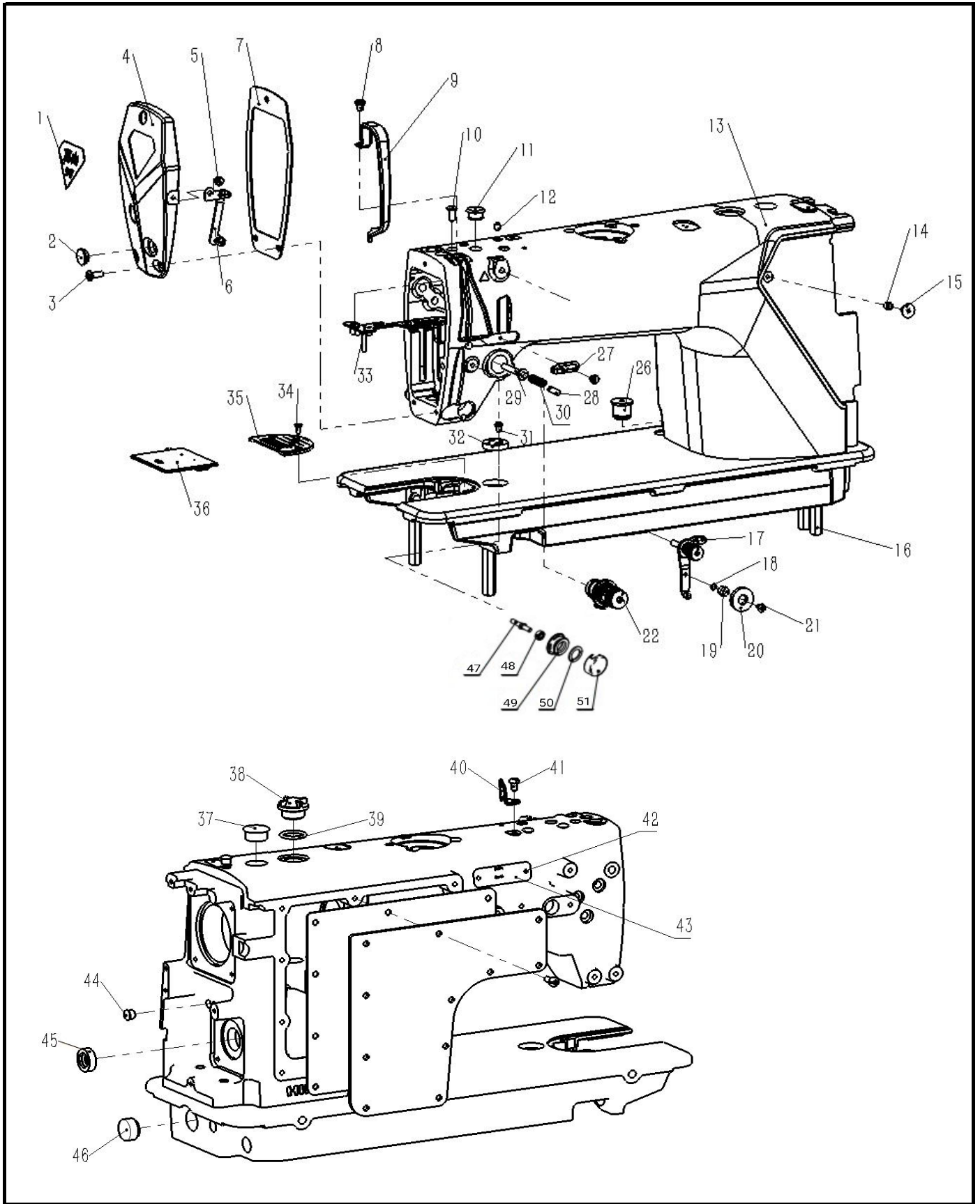
新一代智能包缝机

NEW GENERATION OF INTELLIGENT
LOCKSTITCH SEWING MACHINE

目录/Contents

1、机壳部件/Machine frame&miscellaneous cover components	P1
2、上轴·挑线部件/Main shaft&Thread take-up lever components	P5
3、针杆·竖轴·下轴部件/Needle bar,upright shaft&hook driving shaft components.....	P7
4、压杆部件/Hand lifter components.....	P9
5、送料部件/Feed mechanism components.....	P11
6、自动切线/Thread trimmer components.....	P13
7、自动倒缝部件/Automatic reverse feed components.....	P15
8、驱动部件/Driver components.....	P16
9、润滑·绕线部件/Oil lublication components&bobbin components.....	P17
10、油盘部件/Oil reservoir components.....	P19
11、附件/Accessories.....	P21

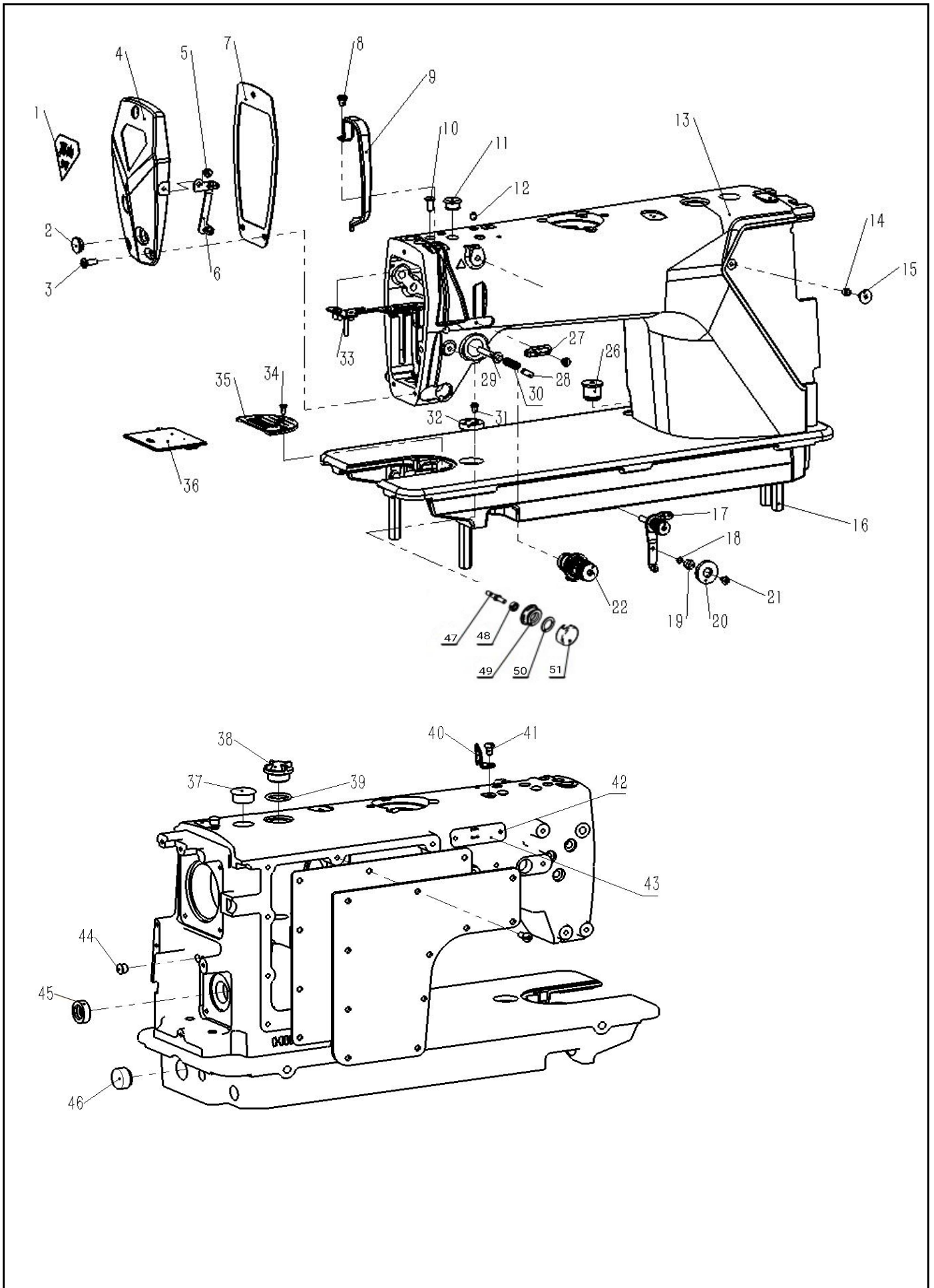
1、机壳部件/Machine frame&miscellaneous cover components



1、机壳部件/Machine frame&miscellaneous cover components

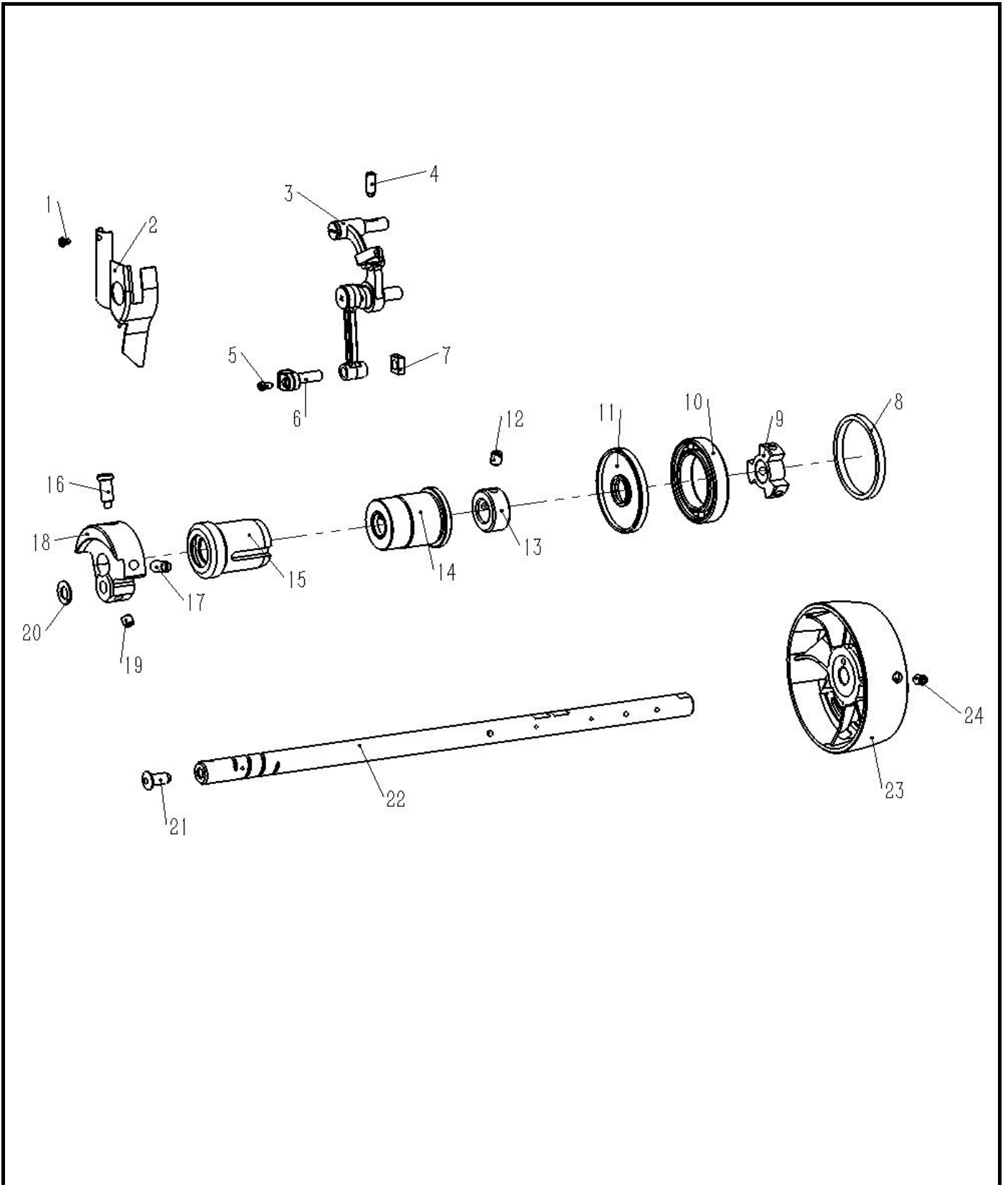
序号	图 号	名 称/		数量		
		中文	English	H9V-I -F	H9V-I	H9V-I -H
1	135.13-50	钻石形面板贴	Plate stick	1		
2	22-12404016	橡胶塞	Rubber plug	2		
3	01-405001223-1	十字一字盘头螺钉	Screw	14		
4	135.13-42B	面板	Plate	1		
5	02-611400621-1	一字槽圆柱头大薄帽螺	Screw	2		
6	101.01-32A	左过线勾	Arm thread guide Left	1		
7	135.13-41	面板垫	Plate stick	1		
8	01-405000623-1	十字一字盘头螺钉	Screw	1		
9	101.01-23G	挑线杆防护罩	Therad take-up lever cover	1		
10	02-309401122-1	十字槽平圆头螺钉	Screw	2		
11	22-12507017	橡胶塞	Rubber plug	1		
12	01-805000614-1	内六角凹端紧定螺钉	Screw	2		
13	135.01-40B	机壳组件H9V-I	Machine cover	1		
14	135.13-52	衬套	bush	1		
15	01-604001052-1	十字槽大帽螺钉	Screw	1		
16	101.01-37	底板支柱	Bed screw stud	4		
17	135.13-46	调线夹线器组件	Thread tension asm	1		
18	05-040030600-6	平垫片	Flat gasket	1		
19	14-684ZZ	轴承	Bearing	2		
20	135.13-47	调线夹线器滑轮	Pulley	1		
21	01-304000624-3	内六角平圆头螺钉	Screw	1		
22	101.01-27	夹线器组件	Thread tensiom disk presser	1		
	116.01-27	夹线器组件	Thread tensiom disk presser			1
26	131.01-16	导线过线套	Rubber Plug	1		
27	101.01-25	右线钩	Arm therad guide Right	1		
28	02-815280711-1	一字槽凹端紧定螺钉	Screw	1		
29	102.04-26	松线辅钉	Tension release return spring	1		
30	101.04-24	松线辅钉弹簧	Tension spring	1		
31	01-404000623-1	十字一字盘头螺钉	Screw	1		
32	103.01-11	定位座	Ruler stopper	1		
33	128.02-05	油线支架组件	oil line support	1		
34	02-211400821-1	一字槽半沉头螺钉	Screw	2		
35	133.01-44	针板	Throat plate		1	
	133.01-44-018	针板	Throat plate	1		
	116.01-44	针板	Throat plate			1
36	101.01-46	推板组件	Slide plate asm.	1		
37	22-20809024	橡胶塞	Rubber plug	1		
38	101.09-01	油窗	Oil window	1		
39	12-190265	O型橡胶密封圈	Rubber ring	1		
40	110.01-07	面线过线板	Spool pin	1		

1、机壳部件/Machine frame&miscellaneous cover components



序号	图 号	名 称/		数量		
		中文	English	H9V-I -F	H9V-I	H9V-I -H
41	01-405000823-1	十字一字盘头螺钉	Screw	1		
42	17-3200500-5	半沉头铆钉	Rivet	2		
43	H0-008	综合型号牌	Model plate	1		
44	22-08506011	橡胶塞	Rubber plug	5		
45	13-11470220	骨架油封	Bearing	1		
46	22-20611000	橡胶塞	Rubber plug	1		
47	137.01-09-02	连接螺杆	Screw	1		
48	14-684ZZ	轴承	Bearing	2		
49	137.01-09	滑轮	Pulley	1		
50	135.13-53	磁钢	Magnet	1		
51	137.01-09-01	滑轮罩	Sheave cover	1		

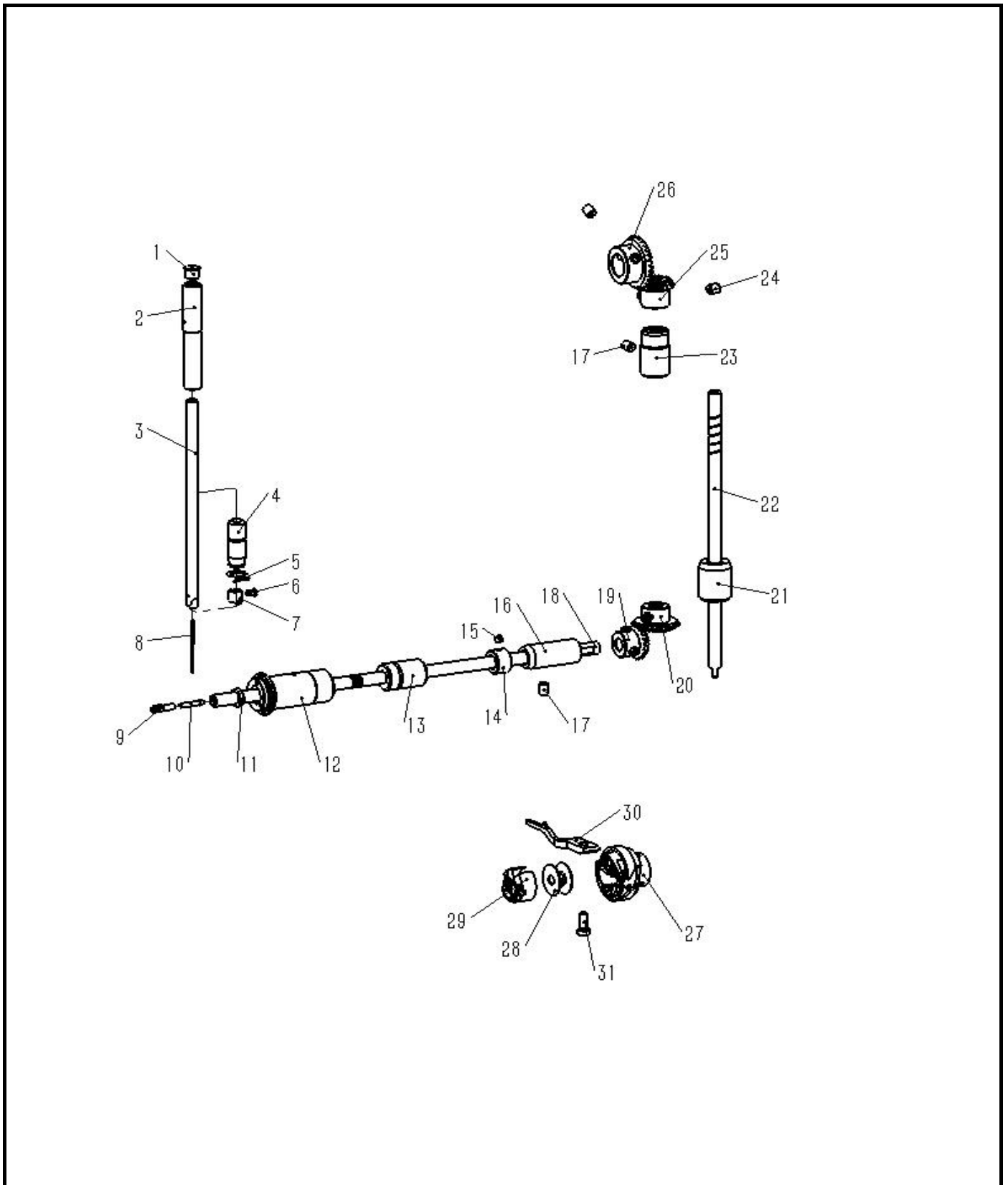
2、上轴·挑线部件/Main shaft&Thread take-up lever components



2、上轴·挑线部件/Main shaft&Thread take-up lever components

序号	图号	名称/		数量		
		中文	English	H9V-I-	H9V-I	H9V-I-
1	02-608440421-1	一字槽圆柱头大薄帽螺	Screw		1	
2	102.01-04-01	面板防油板	Panel oil deflector		1	
3	101.02-04-02	挑线连杆	Thread take-up lever		1	
4	02-815281551-1	一字槽圆柱端紧定螺钉	Screw		1	
5	02-509400621-1	一字槽圆柱头螺钉	Screw		1	
6	102.03-04A	针杆连接柱	Needle rod holder		1	
7	102.03-06A	针杆连接柱滑块	Slide block		1	
8	102.02-47	轴承垫	Bearing pad		1	
9	102.02-44	联轴器(1)	Coupling		1	
10	14-61907-2Z	轴承	Bearing		1	
11	13-14550550	骨架油封	Skeleton oil seal		1	
12	02-816400811-1	一字槽凹端紧定螺钉	Screw		2	
13	102.02-23	上轴挡圈	Collar		1	
14	102.02-27	上轴中轴套	Bushing, intermediate		1	
15	101.02-19	上轴前轴套	Main shaft front bushing		1	
16	02-418281531-1	一字槽盘头螺钉	Screw		1	
17	02-818281651-1	一字槽圆柱端紧定螺钉	Screw		1	
18	102.02-15A	针杆曲柄	Needle bar crank		1	
19	02-816400611-1	一字槽无帽凹端螺钉	Screw		2	
20	05-081081553-5	平垫片	Flat gasket		1	
21	22-07014012	橡胶塞	Rubber plug		1	
22	102.02-38G	上轴	Main shaft		1	
23	128.02-11-01	手轮	Handwheel		1	
24	02-815280814-1	内六角槽无帽凹端螺钉	Screw		2	

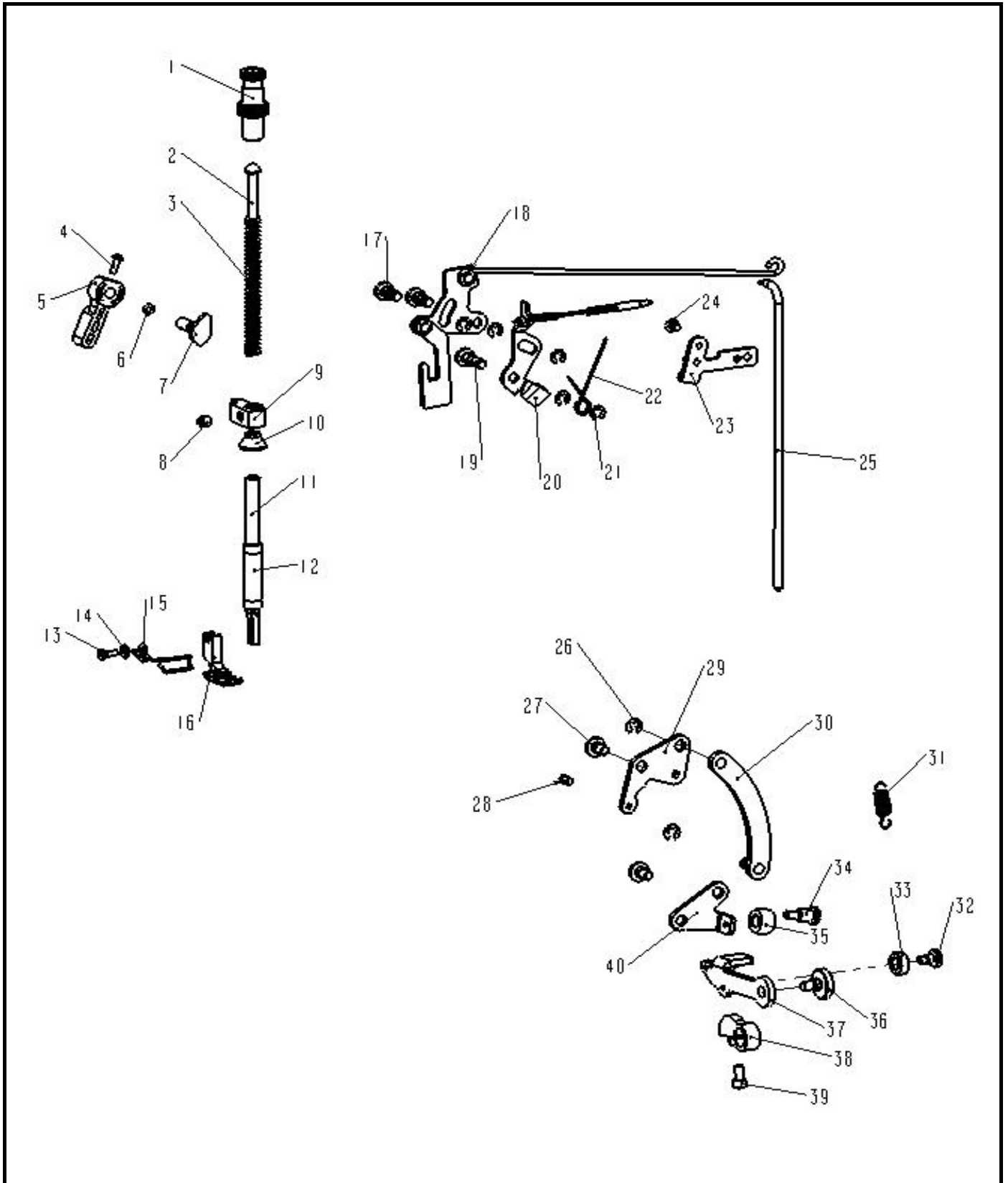
3、针杆·竖轴·下轴部件/Needle bar, upright shaft&hook driving shaft comp



3、针杆·竖轴·下轴部件/Needle bar, upright shaft&hook driving shaft comp

序号	图号	名称/		数量		
		中文	English	H9V-I-	H9V-I	H9V-I-
1	22-08506511	橡胶塞	Cap	1		
2	101.03-02	针杆上套	Needle bar bushing (upper)	1		
3	101.03-03A	针杆	Needle bar	1		
	101.13-10A	针杆	Needle bar			1
4	121.03-08	针杆下套	Needle bar bushing (lower)	1		
	101.13-09	针杆下套	Needle bar bushing (lower)			1
5	101.13-08	针杆线钩	Needle bar thread guide	1		
6	02-508440521-1	一字槽圆柱头螺钉	Screw	1		
7	101.03-10	针杆线钩	Needle bar thread guide	1		
8	101.03-11F	机针	Needle	1		
	101.03-11	机针DB×1 14#	Needle		1	
	101.12-11-24	机针	Needle			1
9	102.03-40	下轴限油螺钉	Oil seal screw	1		
10	101.03-35A	下轴限油芯(短)	Oil wick	1		
11	13-07230120	骨架油封	Skeleton oil seal	1		
12	124.03-01	下轴前轴套	Lower shaft bushing	1		
13	122.03-46	下轴中轴套	Bushing (intermediate)	1		
14	101.03-26	下轴挡圈	Thrust collar	1		
15	02-811400414-1	内六角凹端紧定螺钉	Screw	2		
16	101.03-24	下轴后轴套	Bushing rear	1		
17	02-815280814-1	内六角槽无帽凹端螺钉	Screw	2		
18	102.03-31	下轴	Lower shaft	1		
19	101.03-18	下轴伞齿轮	Conical gear	1		
20	101.03-16	竖轴下伞齿轮	Gear	1		
21	101.03-23	竖轴下轴套	Upright shaft bushing (lower)	1		
22	101.03-20	竖轴	Upright shaft	1		
23	101.03-21	竖轴上轴套	Upright shaft bushing (upper)	1		
24	02-816400711-1	一字槽无帽凹端螺钉	Screw	8		
25	101.03-14	竖轴上伞齿轮	Conical gear	1		
26	101.03-12	上轴伞齿轮	Conical gear	1		
27	101.03-36-09	德盛电脑旋梭	Hook	1		
	116.03-37WL	旋梭	Rotary shuttle			1
28	101.03-37-02	梭心	Bobbin	1		
29	122.03-37-02	国产梭壳	Bobbin case	1		
30	108.07-14	旋梭定位勾	Bobbin case holder	1		
	104.07-14	旋梭定位钩	Bobbin case holder			1
31	02-511401221-1	一字槽圆柱头螺钉	Screw	1		

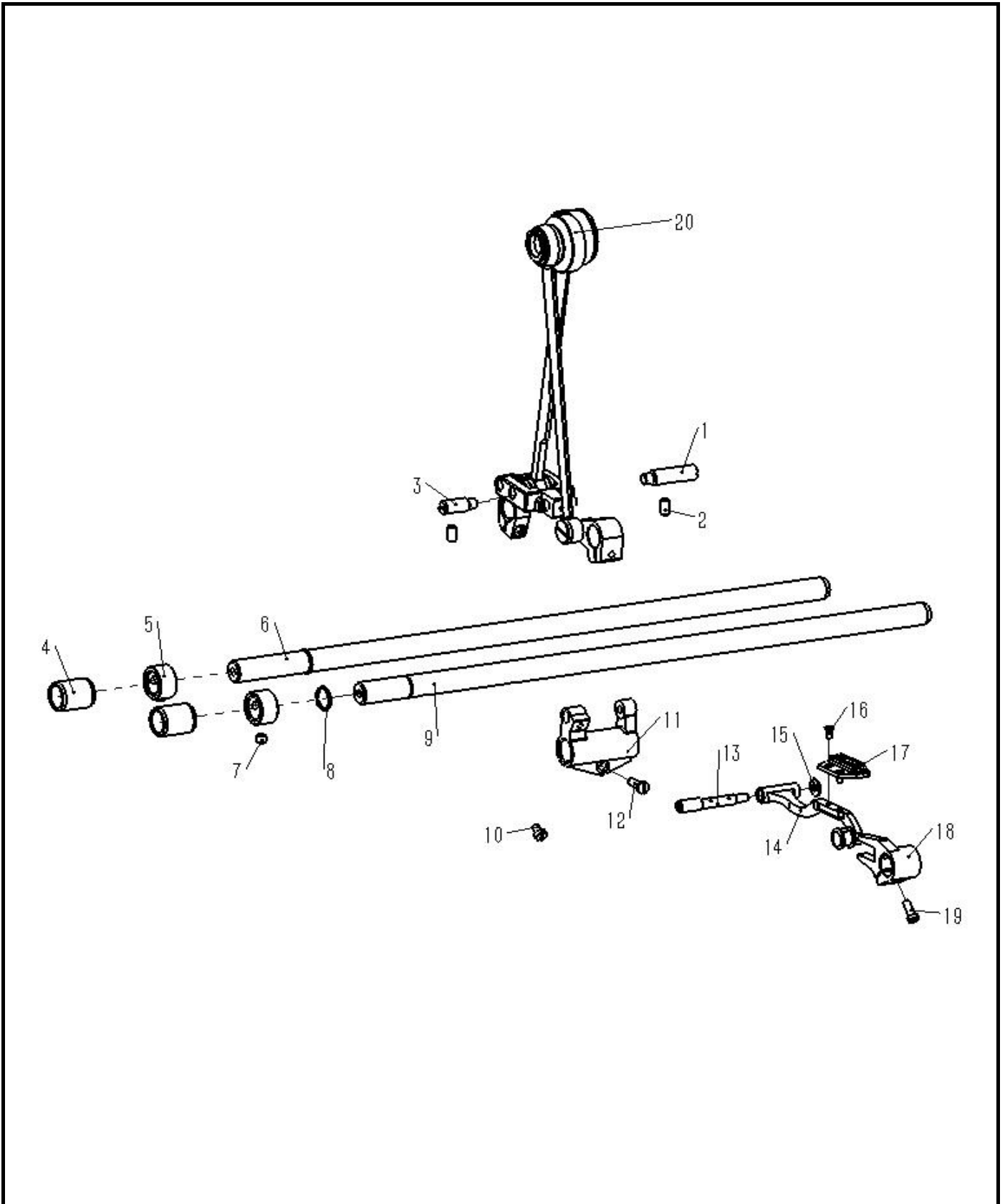
4、压杆部件/Hand lifter components



4、压杆部件/Hand lifter components

序号	图号	名称/		数量		
		中文	English	H9V-I-	H9V-I	H9V-I-
1	101.04-31	调压螺母	Presser adjusting screw nut	1		
2	101.04-40	调压导杆	Presser guide bar	1		
3	101.04-33	调压簧	Presser adjusting spring	1		
	101.13-12	调压簧	Presser adjusting spring			1
4	19-409401023-1	十字一字盘头二件套组	Screw	1		
5	101.04-01	压脚扳手	Hand lifter	1		
6	12-038180	O型橡胶密封圈	seal ring	1		
7	101.04-04	压脚扳手凸轮	Hand lifter cam asm.	1		
8	02-816400711-1	一字槽凹端紧定螺钉	Screw	1		
9	101.04-34A	压杆导架	Pressure bar guide	1		
10	101.04-41	防油伞	Rubber	1		
11	101.04-35	压杆	Presser bar	1		
12	101.04-05	压杆轴套	Presser bar bushing	1		
13	02-509401021-1	一字槽圆柱头螺钉	Screw	1		
14	05-043080900-1	平垫片	Flat gasket	1		
15	104.03-29	护指器	Finger protector	1		
16	132.04-09	活压脚组件	Presser foot asm.	1		
	101.04-09	活压脚组件	Presser foot asm.		1	
	135.13-46	调线夹线器	Presser foot asm.			1
17	102.04-07	前杠杆螺纹销	Link shaft	2		
18	135.04-39	前杠杆组件	Front lever assembly	2		
19	102.04-29	松线顶板螺纹销	Tension release pin	1		
20	102.04-28-1	松线顶板	Loose line top plate	1		
21	06-0500810-1	开口挡圈	Circlip	5		
22	101.04-23	松线顶板复位簧	Tension release return spring	1		
23	102.04-20	上压线底板	Wire holder bracket (upper)	1		
24	101.04-11	活压脚压杆螺钉	Hinge screw	1		
25	126.04-01	抬压脚顶杆	Knee lifter connecting rod	1		
26	06-0500611-1	开口挡圈	E-ring	4		
27	101.04-12	后杠杆轴位螺钉	Hinge screw	2		
28	02-112280821-1	一字槽沉头螺钉	Screw	1		
29	135.13-38	抬压杠杆	Lifting lever	1		
30	135.13-31	连接顶杆	Connecting ejector rod	1		
31	135.13-40	抬压拉簧	Lift and press tension spring	1		
32	135.13-36	抬压滚珠轴位螺钉	Screw	1		
33	135.13-30	抬压滚轮	Press roller	1		
34	135.13-34	抬压脚轴位螺钉	Screw	1		
35	135.13-23	滚珠	Ball	1		
36	135.13-35	轴位螺钉	Screw	1		
37	135.13-33	抬压连接板	Pressure lifting connecting pl.	1		
38	135.13-07	凸轮	Cam	1		
39	01-505001024-1	内六角圆柱头螺钉	Screw	1		
40	135.13-32	连接板	Connecting plate	1		

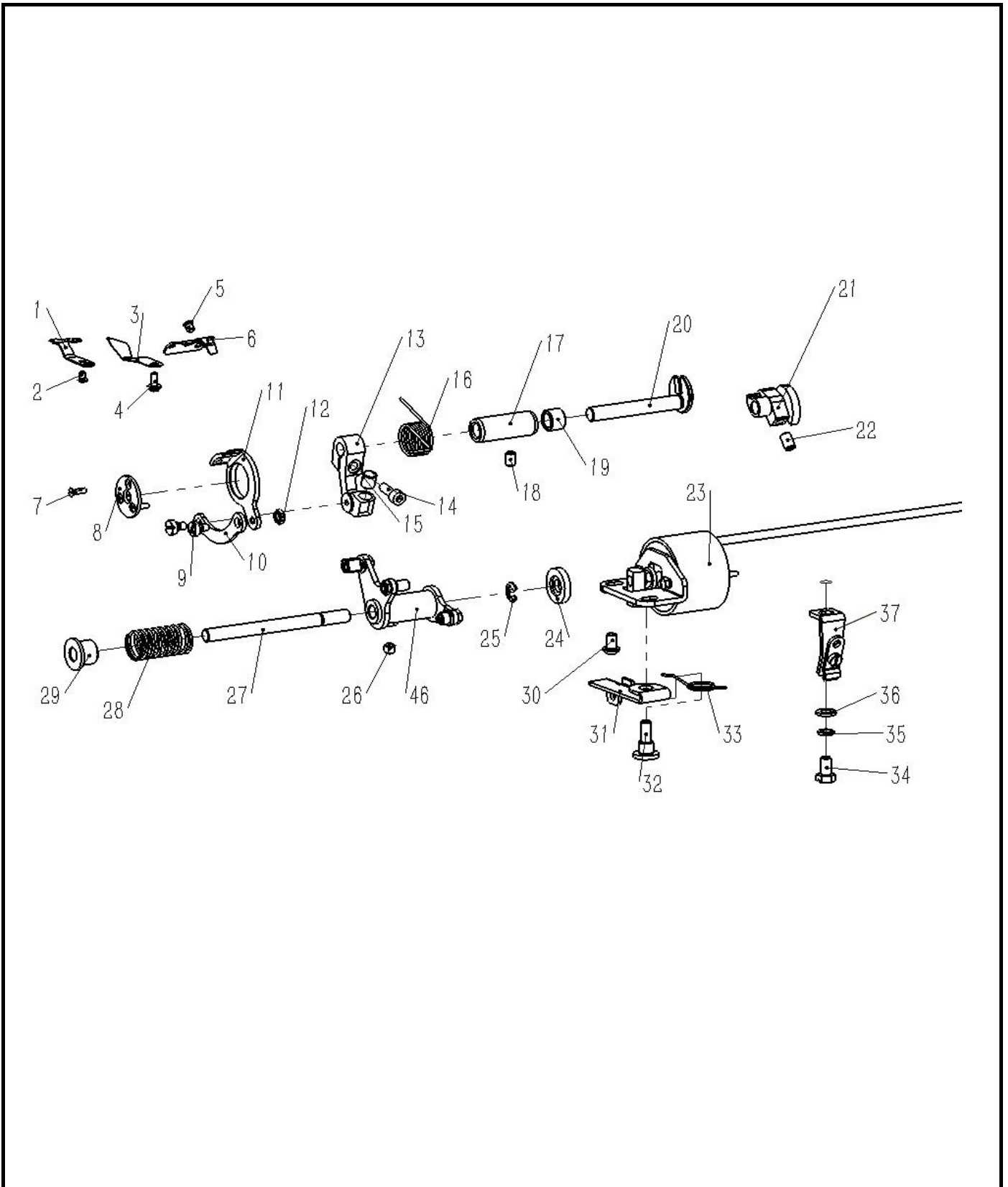
5、送料部件/Feed mechanism components



5、送料部件/Feed mechanism components

序号	图 号	名 称/		数量		
		中文	English	H9V-I-	H9V-I	H9V-I-
1	135.05-01	摆动板座销钉(长)	Swing plate seat pin length	1		
2	02-815281014-1	内六角槽无帽凹端螺钉	Screw	2		
3	101.05-28	摆动板座销钉(短)	Adjusting link fulcrum shaft p	1		
4	101.05-51A	送料轴前轴套	Feed rocker shaft bushing	2		
5	101.02-17	上轴挡圈	Thrust collar	2		
6	101.05-39	送料轴	Feek rocker shaft	1		
7	02-816400514-1	内六角凹端紧定螺钉	Screw	4		
8	10-1381017-1	轴用弹性挡圈	Retaining ring	2		
9	101.05-48	抬牙轴	Feed driving shaft	1		
10	02-511400721-1	一字槽圆柱头螺钉	Screw	1		
11	101.05-55	牙架座	Tooth holder	1		
12	02-412281421-1	一字槽盘头螺钉	Screw	1		
13	101.05-31	牙架销	Feed bar shaft pin	1		
14	101.05-35-01	牙 架	Dental rack	1		
15	05-051081203-5	平垫片	Washer	1		
16	02-608440621-1	一字槽圆柱头大薄帽螺	Screw	2		
17	130.05-33	送料牙	Feed dog	1		
	110.05-33 (1.15)	送料牙	Feed dog		1	
	116.05-33	送料牙	Feed dog			1
18	101.05-57	抬牙叉曲柄	Driving shaft crank	1		
19	02-511401121-1A	一字槽盘头螺钉	Screw	1		
20	135.13-25	送料偏心轮组件	Feeding eccentric assembly	1		

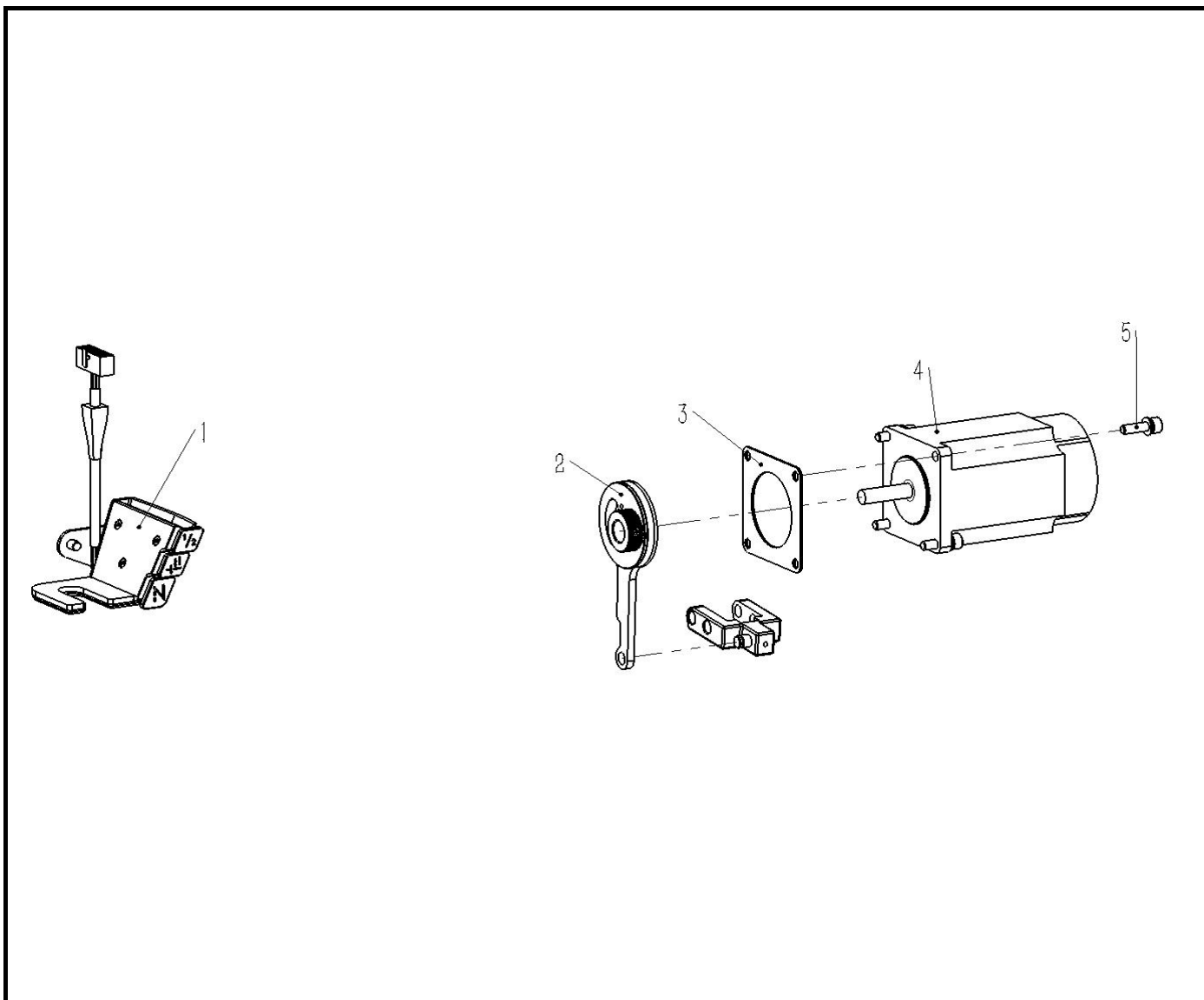
6、自动切线部件/Thread trimmer components



6、自动切线部件/Thread trimmer components

序号	图 号	名 称/		数量		
		中文	English	H9V-I-F	H9V-I	H9V-I-H
1	102.06-04	固定刀	Secant knife	1		
	116.06-03N	固定刀	Secant knife			1
2	02-109400621-1	一字槽沉头螺钉	Screw	1		
3	102.06-06	分线器	Protect needle patch	1		
4	19-509400821-1	一字槽圆柱头二件套组	Screw	1		
5	02-111400524-1	内六角沉头螺钉	Screw	2		
6	102.06-13	活动刀	Motorial knife	1		
	102.06-13G	活动刀	Motorial knife			1
7	01-103001021-1	一字槽沉头螺钉	Screw	3		
8	103.11-13	切线架压板	Partiality shank	1		
9	102.06-16	连杆螺钉	Screw	2		
10	102.06-15	刀轴连杆	Knife shaft connecting rod	1		
11	124.06-09	剪线刀架	Knife bracket	1		
12	04-611400300-1	六角螺母	Nut	4		
13	102.06-18G	切刀驱动曲柄	Thread shear rock crank	1		
14	02-512321524-1	内六角圆柱头螺钉	Screw	1		
15	103.11-09-06G	止动块	Positioning block	1		
16	102.06-21	切线曲柄弹簧	Spring	1		
17	102.06-24	切线轴套	Thread shear cam bushing	1		
18	02-815280814-1	内六角槽无帽凹端螺钉	Screw	1		
19	102.06-23	驱动曲柄轴短套	Short bush	1		
20	102.06-22	切刀驱动曲柄轴	Thread shear rock arm shaft	1		
21	134.06-11	切线凸轮	Thread shear cam	1		
22	02-816401014-1	内六角凹端紧定螺钉	Screw	2		
23	QD-39	剪线电磁铁组件	Thread trimmer solenoid	1		
24	136.06-01	电磁铁缓冲垫	Magnetic plug cushion mat	1		
25	06-0601012-1	开口挡圈	E-ring	1		
26	02-816400514-1	内六角凹端紧定螺钉	Screw	1		
27	102.06-30	切刀驱动轴	Thread shear shaft	1		
28	102.06-32	切线凸轮复位弹簧	Spring	1		
29	102.06-31	扭簧端盖	Spring cover	1		
30	02-315280921-1	一字槽平圆头螺钉	Screw	1		
31	102.06-49	松线座	Thread loose seat	1		
32	102.06-41	松线座螺钉	Screw	1		
33	102.06-48	切线电磁铁弹簧	Spring	1		
34	02-715281121-1	一字槽六角头螺钉	Screw	1		
35	07-0631616-1	弹簧垫圈	Spring washer	1		
36	05-064161200-1	平垫片	Flat gasket	1		
37	102.04-10	松料导管下支架	Bracket	1		
43	02-511400721-1	一字槽圆柱头螺钉	Screw	1		
44	101.04-18	拉线活压板	Pull rod	1		
45	05-063101201-1	平垫片	Flat gasket	1		
46	102.06-26-4	切线凸轮曲柄	Tangent cam crank	1		

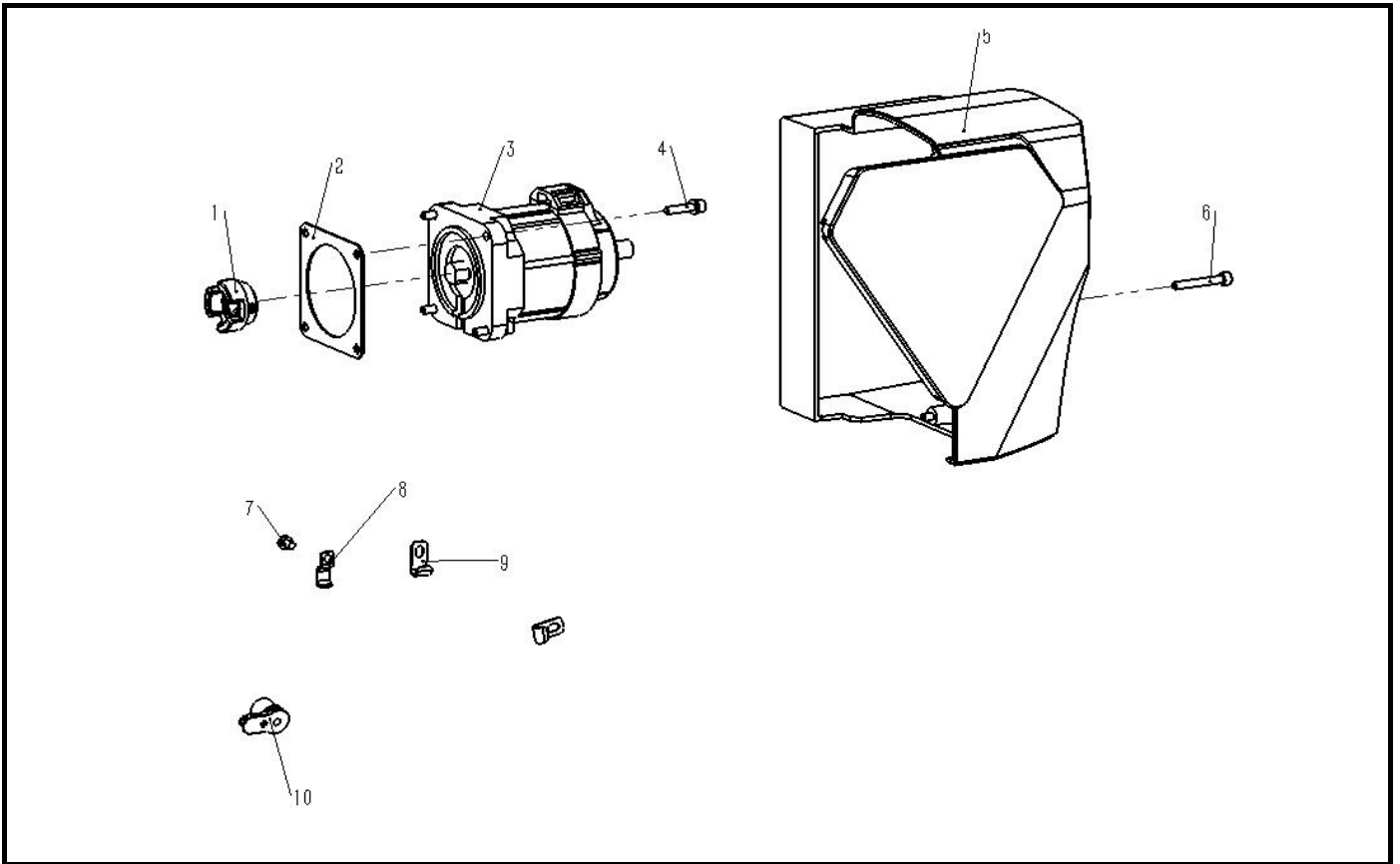
7、自动倒缝部件/Automatic reverse feed components



7、自动倒缝部件/Automatic reverse feed components

序号	图号	名称/		数量		
		中文	English	H9V-I-F	H9V-I	H9V-I-H
1	DL-39	倒缝灯组件	Reverse switch asm.	1		
2	135.13-26	偏心连杆组件	LINK AS-ECCENTRIC	1		
3	130.05-13A	步进电机密封垫片	Washer	1		
4	MO-02H-60	针距控制步进电机	Stepper motor	1		
5	18-505001724-1	内六角圆柱头三件套组	Screw	4		

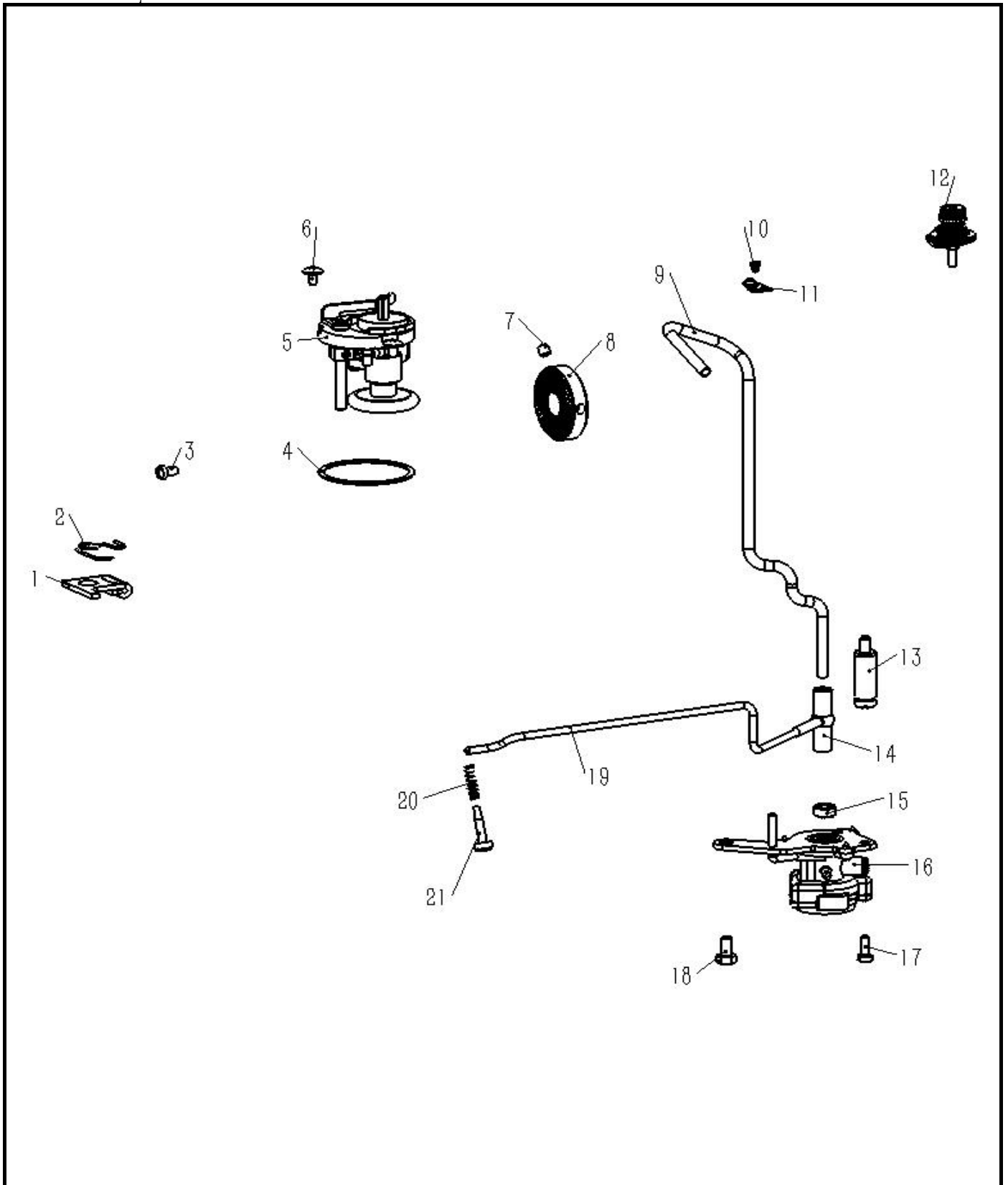
8、驱动部件/Driver components



8、驱动部件/Driver components

序号	图号	名称/		数量		
		中文	English	H9V-I-F	H9V-I	H9V-I-H
1	124.02-48	电机联轴器	Motor coupling	1		
2	128.08-05	电机密封垫片	Motor gasket	1		
3	MO-02H-550/03	电机组件	Motor assembly	1		
	MO-02H-550/04	电机组件	Motor assembly			1
4	18-505002224-1	内六角圆柱头三件套组	Screw	4		
5	CB-40H	电控组件	Control asm.	1		
6	01-505003524-1	内六角圆柱头螺钉	Screw	3		
7	01-405000823-1	十字一字盘头螺钉	Screw	1		
8	103.18-04	线夹U2	Clamp	1		
9	126.01-06	线夹	Clamp	2		
10	JD-39	起针夹线器	Thread tension solenoid asm	1		

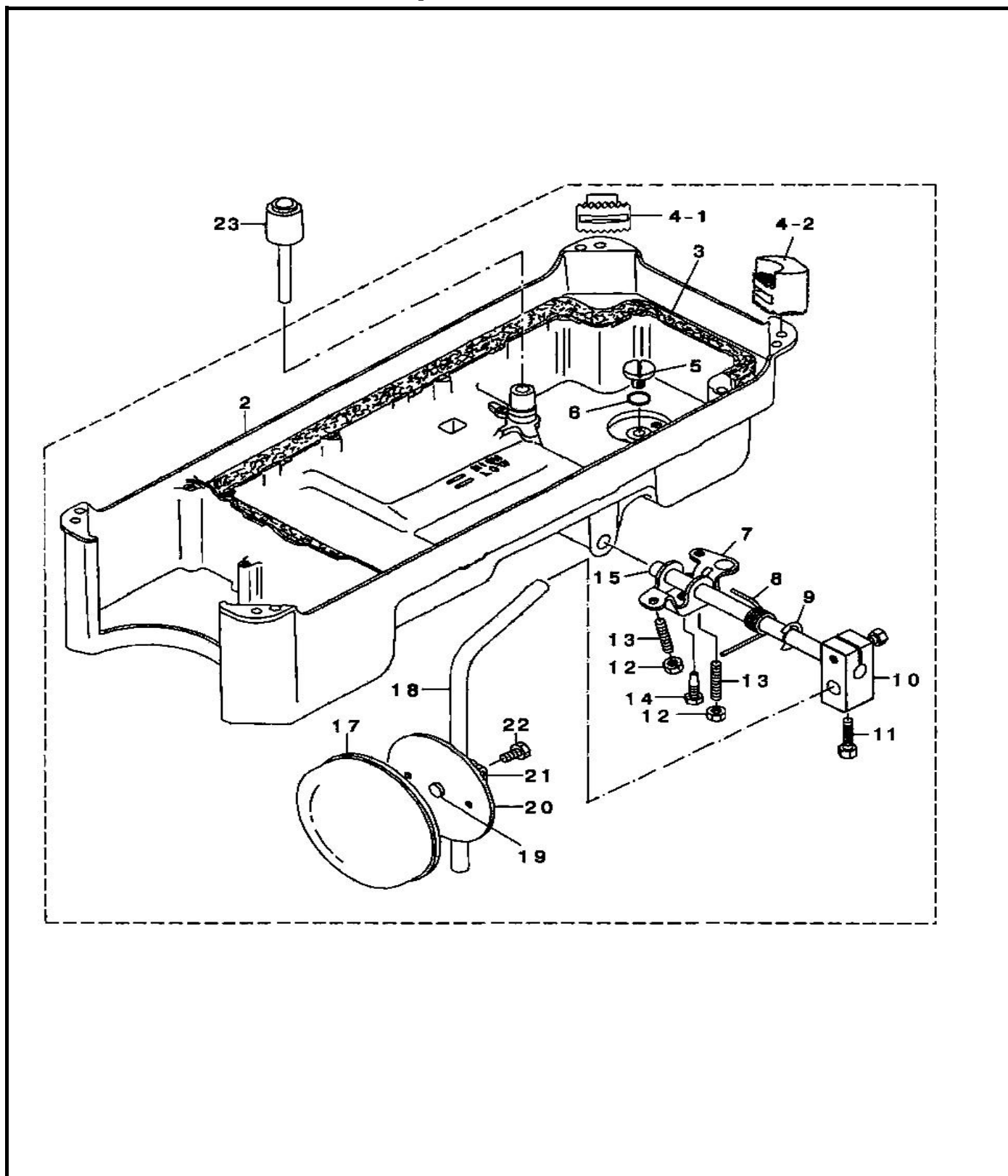
9、润滑·绕线部件/Oil lubrication components&bobbin



9、润滑·绕线部件/Oil lubrication components&bobbin components

序号	图 号	名 称/		数量		
		中文	English	H9V-I-F	H9V-I	H9V-I-H
1	135.09-01	回油管组件	Oil return tube asm.	1		
2	126.09-04	油毡夹	Oil felt presser	1		
3	02-412320821-1	一字槽盘头螺钉	Screw	1		
4	102.09-42	绕线轮垫圈	Washer	1		
5	102.09-32A	绕线器组件	Winder assembly	1		
6	02-312320722-3	十字槽平圆头螺钉	Screw	3		
7	01-806000614-1	内六角凹端紧定螺钉	Screw	2		
8	102.09-37	绕线驱动轮	Bobbin winder driving wheel	1		
9	137.04-01	上轴供油管	Main shaft oil tube	1		
10	02-509400421-1	一字槽圆柱头螺钉	Screw	2		
11	102.09-34	切刀	Knife	1		
12	102.09-36	夹线器组件	Thread tension asm.	1		
13	101.09-13A	油泵连接螺柱	Oil pump support, large	1		
14	101.09-16	供油管接头	Rubber joint	1		
15	132.09-01	减震圈	bumper	1		
16	101.09-11	油泵组件	Lubricating oil pump asm.	1		
17	02-511401221-1	一字槽圆柱头螺钉	Screw	1		
18	02-715281121-1	一字槽六角头螺钉	Screw	1		
19	135.09-43	旋梭供油管	Rotary shuttle oil supply pipe	1		
20	102.09-10	旋梭油量调节簧	Rotary shuttle oil quantity ad	1		
21	102.09-09A	旋梭油量调节螺钉	Oil adjusting screw	1		

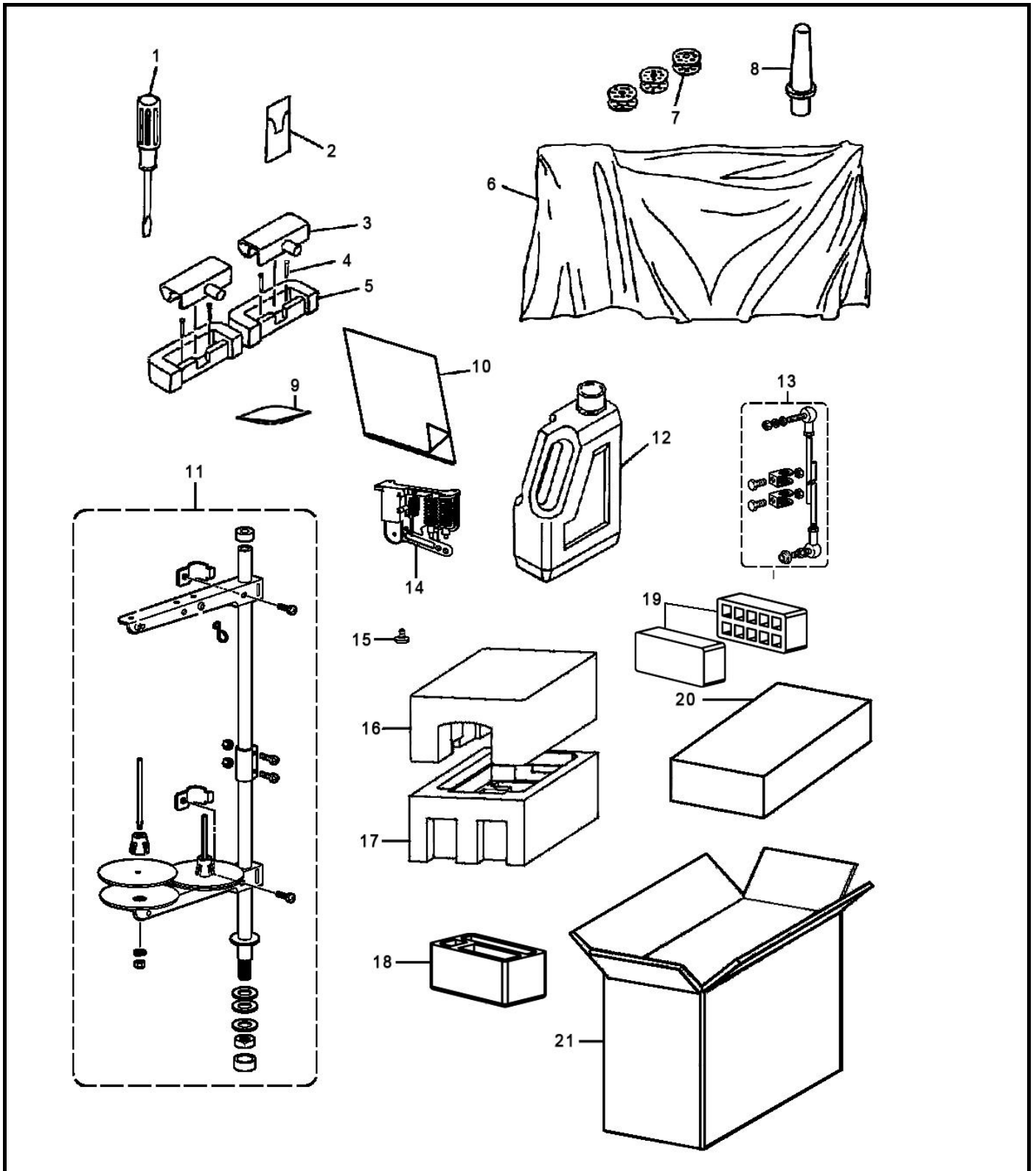
10. 油盘部件/Oil reservoir components



10. 油盘部件/Oil reservoir components

序号	图号	名称		数量		
		中文	English	H9V-I-E	H9V-I	H9V-I-H
2	101.10-01	油盘	Oil reservoir	1		
3	101.10-02	油盘垫组件	Oil reservoir gasket	1		
4-1	101.14-13	防震垫小	Quakeproof mat, small	2		
4-2	101.14-12	防震垫大	Quakeproof mat, larger	2		
5	02-620240721-1	螺钉	Screw	1		
6	12-062240	排油孔螺钉O型圈	Rubber ring	1		
7	101.10-05-01	抬压脚双向曲柄	Knee lifting rotating arm	1		
8	101.10-05-02	双向曲柄扭簧	Spring	1		
9	06-1001020-1	抬压脚轴开口挡圈	E-ring	1		
10	101.10-05-04G	抬压脚操纵杆节头	Vertical shaft fitting arm	1		
11	01-708001425-4	操纵杆节头螺钉	Screw	2		
12	03-606000350-4	双向曲柄限位调节螺母	Nut	2		
13	01-806003021-4	双向曲柄限位调节螺钉	Screw	2		
14	01-706001735-4	双向曲柄螺钉	Screw	1		
15	101.10-05-09	抬压脚轴	Knee press cross shaft	1		
17	101.10-06-01	操纵板软垫	Knee pan plate cover	1		
18	101.10-06-02	操纵杆	Knee pan upright shaft	1		
19	101.10-06-03	操纵杆垫	Knee pan plate rubber	1		
20	101.10-06-04	操纵板	Knee pan plate	1		
21	101.10-06-05	操纵杆节头	Knee pan plate support	1		
22	01-706001025-4	节头螺钉	Screw	1		
23	103.20-20	抬压脚顶杆	Knee lifter push pin	1		

11. 附件/Accessories



11. 附件/Accessories

序号	图号	名称		数量		
		中文	English	H9V-I-F	H9V-I	H9V-I-H
1	113.16-19	两用螺丝刀	Screw driver	1		
2	101.03-11F	机针	Needle	4		
	101.03-11	机针	Needle		4	
	101.12-11-24	机针	Needle			4
3	101.14-01	机头连接钩	Machine hinge plate asm.	2		
4	101.14-02	机头连接钩座钉	Nail	4		
5	101.14-03	机头连接钩座	Machine hinge plate	2		
6	136.11-02	机头罩	Macgube head cover	1		
7	101.03-37-02	梭心	Bobbin	3		
8	101.14-09	机头支柱	Macgube rest cover	1		
9	101.12-20	空气干燥剂	Air drier	1		
10	126.10-05	产品说明书及零件手册	Instruction manual&parts book	1		
11	101.12-01	过线架组件	Thread stand asm.	1		
12	101.14-10	油箱	Oil reservoir asm.	1		
13	KS-00N-01-A00	活球连杆组件	Live festival ball link asm.	1		
14	KS-27H	控速器组件	Treadle asm.	1		
15	21-3501932-4	十字半圆头木螺钉	Screw	4		
16	135.10-04-01	上泡沫	Foam mat (top)	1		
17	135.10-04-02	下泡沫	Foam mat (bottom)	1		
18	135.10-04-03	中泡沫	Foam mat (middle)	1		
19	126.10-04	附件箱泡沫垫	Foam mat	1		
20	126.10-03	内箱	Inside box	1		
21	132.10-05	外箱	Outside box	1		



富山IoT



微信公众号



抖音官方号

上海富山精密机械科技有限公司

HIKARI (SHANGHAI) PRECISE MACHINERY SCIENCE AND TECHNOLOGY CO., LTD.

邮箱/E-mail: hikari@chinahikari.com

网址/Web: www.chinahikari.com

传真/Fax: (00)86-21-67311311

电话/Tel: (00)86-21-67311111 (转外贸部EXT .FOREIGN TRADE DEPT)

上海市金山区朱泾镇工业园区中达路800号

NO.800, ZHONGDA ROAD, ZHUJING INDUSTRIAL ZONE,

JINSHAN DISTRICT, SHANGHAI CHINA



QUANTITY ATTESTATION
ISO9001质量体系认证